



Installation Instructions

SLICKER® HP RAINSCREEN



Approved Compatible Products

CLADDING

Fiber Cement
Wood (including Shingles & Shakes)
Vinyl and Insulated Vinyl
Manufactured Stone
Stucco
Metal

FASTENERS

Staples (minimum 1/2 in.)

STARTER/EDGE VENT

Benjamin Obdyke's Batten UV

SEAM TAPE

Benjamin Obdyke HydroFlash® GP 2.5in Sealing Tape
or use 4in width from the list below

SELF-ADHERED FLASHING

Benjamin Obdyke HydroFlash® GP
Protecto Wrap® Super Stick Building Tape™
3M™ All Weather Flashing Tape 8067
Venture Tape V785 VentureFlash
DuPont™ StraightFlash™
Dupont™ FlexWrap™ NF
JELD-WEN Self-Adhered Flashing
Pella® SmartFlash™ BUTYL Flashing
Nitto Denko No. 6922 (Double-Sided)
Fiberweb Typar® AT Flashing

SILL TREATMENT

Benjamin Obdyke HydroFlash® GP
Benjamin Obdyke HydroFlash® w/ HydroCorner®
SureSill™
Minimum 9in width self-adhered flashing from those listed
here under "Self-Adhered Flashing"

CAULKS & SEALANTS

OSI® WinTeQ™ TeQ::Seal™ Sealant
Loctite® Premium® Construction Adhesive
Loctite® PL Premium® S40 Polyurethane
GeoCel® 2300 Construction Tripolymer
GeoCel® Pro Flex®
Fortifiber® Moistop® Sealant
Bostik® 915™ Polyurethane Sealant
Bostik® 915FS™ Polyurethane Sealant
Dow Corning® 732 Multi-Purpose Sealant
NPC® Solar Seal #900
Titebond® Heavy Duty Construction Adhesive
Titebond® WeatherMaster™
TiteBond® WeatherMaster™ ULTIMATE MP
Tremco® Vulkem® 116
DAP® Flexible CLEAR Sealant

In order to achieve 25-year system warranty,
the following components must also be used in
conjunction with Slicker HP:

HydroFlash® GP Self-Adhered Flashing

Optional:
HydroCorner® Sill Treatment
HydroFlash® GP Seam Tape
Batten UV

Nail Selection Guide

Wood Siding

All nails are required to meet the following conditions:

- Siding or box nail
- Blunt-tipped to reduce splitting
- Ring or spiral-threaded shanks to provide increased holding power
- Stainless steel, hot-dipped galvanized, or aluminum for corrosion resistance
- Minimum 1¹/₄ inch penetration into studs

NOTE: To prevent bleeding and corrosive staining, use only stainless steel nails in the following situations: no stain on siding, clear or semi-transparent stain on siding, or an application that is subject to seacoast exposure.

Pneumatic nail guns can be used if collated nails meet prior recommendations and the air pressure and depth gauge is set so that nail is driven snug with the surface.

DO NOT OVERDRIVE NAILS

For further information, consult the Western Red Cedar Lumber Association (WRCLA) or Western Wood Products Association (WWPA).

Wood Shingles/Shakes

All nails are required to meet the following conditions:

- Siding or box nail
- Blunt-tipped to reduce splitting
- Ring or spiral-threaded shanks to provide increased holding power
- Stainless steel, hot-dipped, zinc coated or aluminum for corrosion resistance
- Minimum 1/2 inch to 3/4 inch penetration into sheathing

NOTE: To prevent bleeding and corrosive staining, use only stainless steel nails in the following situations: no stain on shingles/shakes, clear or semi-transparent stain on shingles/shakes, or an application that is subject to seacoast exposure.

Pneumatic nail guns can be used if collated nails meet prior recommendations and the air pressure and depth gauge is set so that nail is driven snug with the surface.

DO NOT OVERDRIVE NAILS

For further information, consult the Cedar Shake and Shingle Bureau (CSSB).

Fiber Cement Plank & Panel

All nails are required to meet the following conditions:

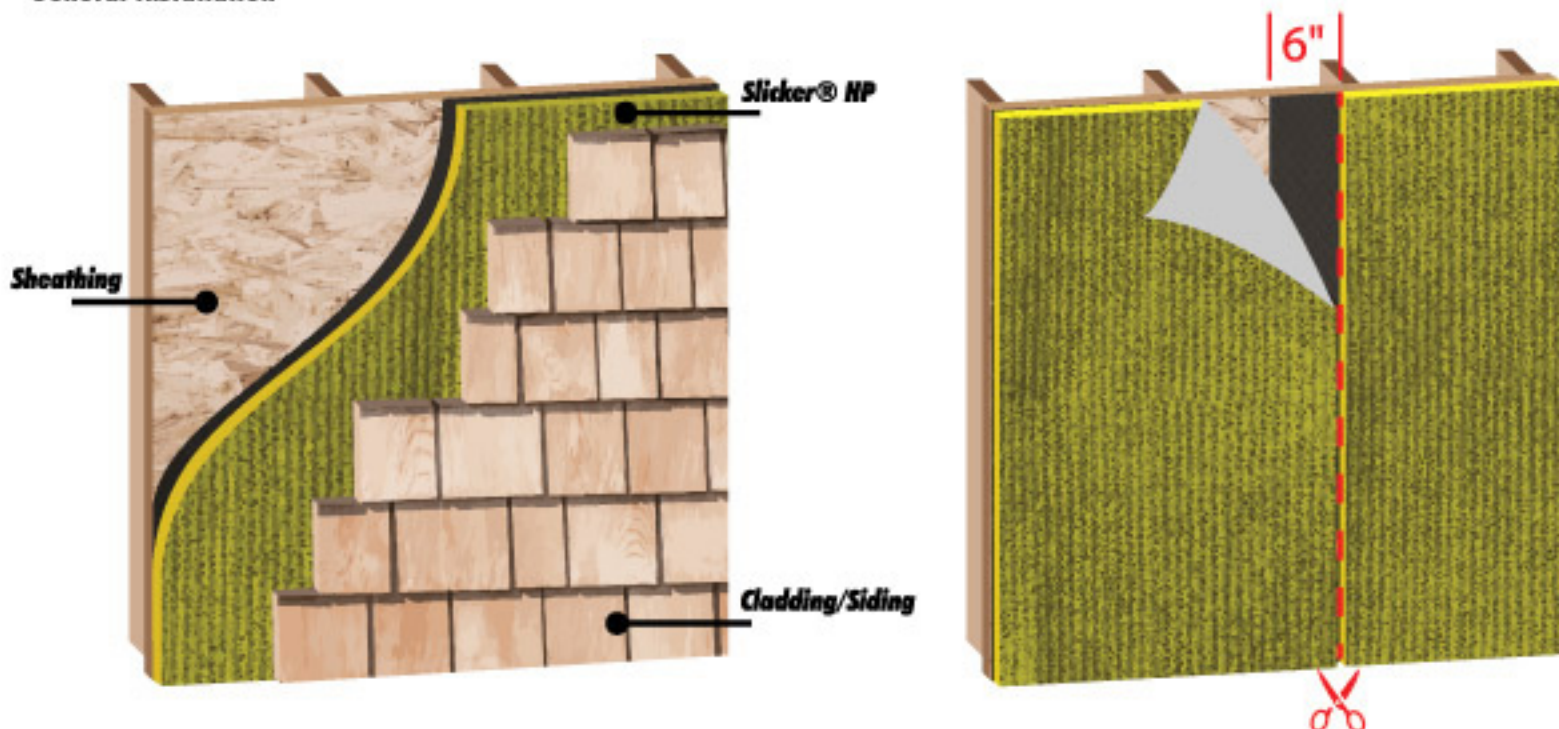
- Siding or box nail
- Hot-dipped galvanized or stainless steel for corrosion resistance
- Minimum 1¹/₄ inch penetration into studs

NOTE: The use of a siding or roofing nail may not be applicable to all installations where greater windloads or wind resistance is required by the local building code. Defer to the applicable Building Code Compliance Report or fiber cement siding manufacturer for more information.

Pneumatic nail guns can be used if collated nails meet prior recommendations and the air pressure and depth gauge is set so that nail is driven snug with the surface.

DO NOT OVERDRIVE NAILS

General Installation



Step 1:
Install sidewall sheathing material over studs. Slicker HP may be installed either before or after windows are installed and flashed-in. Refer to window installation details on flashing integration. Install Slicker Screen directly to the sheathing, 3 inches up, allowing it to hang with an approximate 3 inch flap that will be tacked into place over top of the Slicker HP once installed, and prior to cladding installation.

Step 2:
Roll out Slicker HP wherever siding or cladding will be applied with channels running vertically and the FlatWrap HP flap on top. Start at the base of the wall and roll out Slicker HP from left to right with the FlatWrap HP side against the sheathing. Nail or staple (min. 1/2 inch staple for 6mm; 1 inch staple for 10mm product) every three square feet.

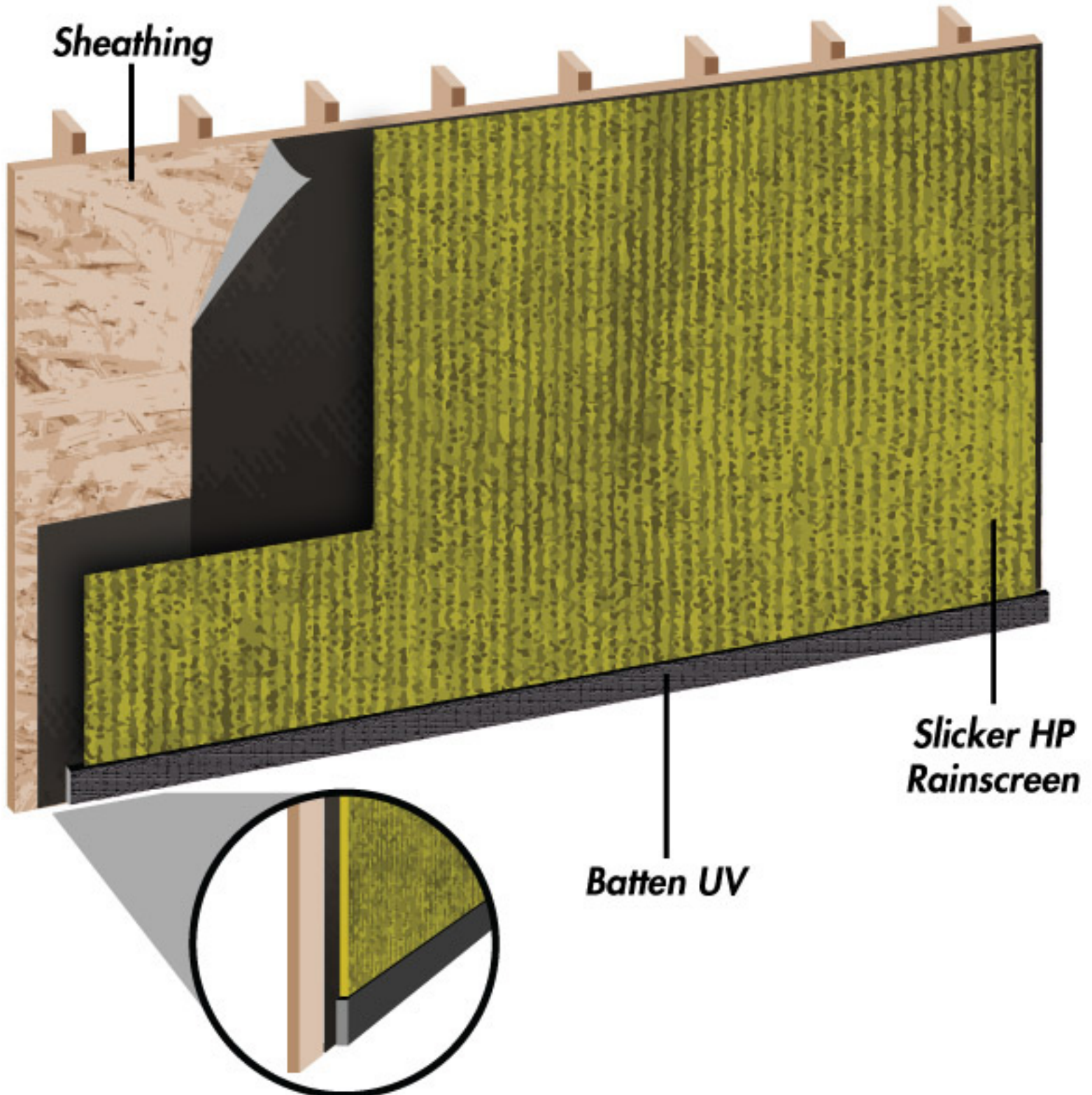
Step 3:
To create a vertical seam between rolls, detach and remove 6 inches of the Slicker entangled matrix from the end of the installed roll, leaving the exposed FlatWrap HP intact.

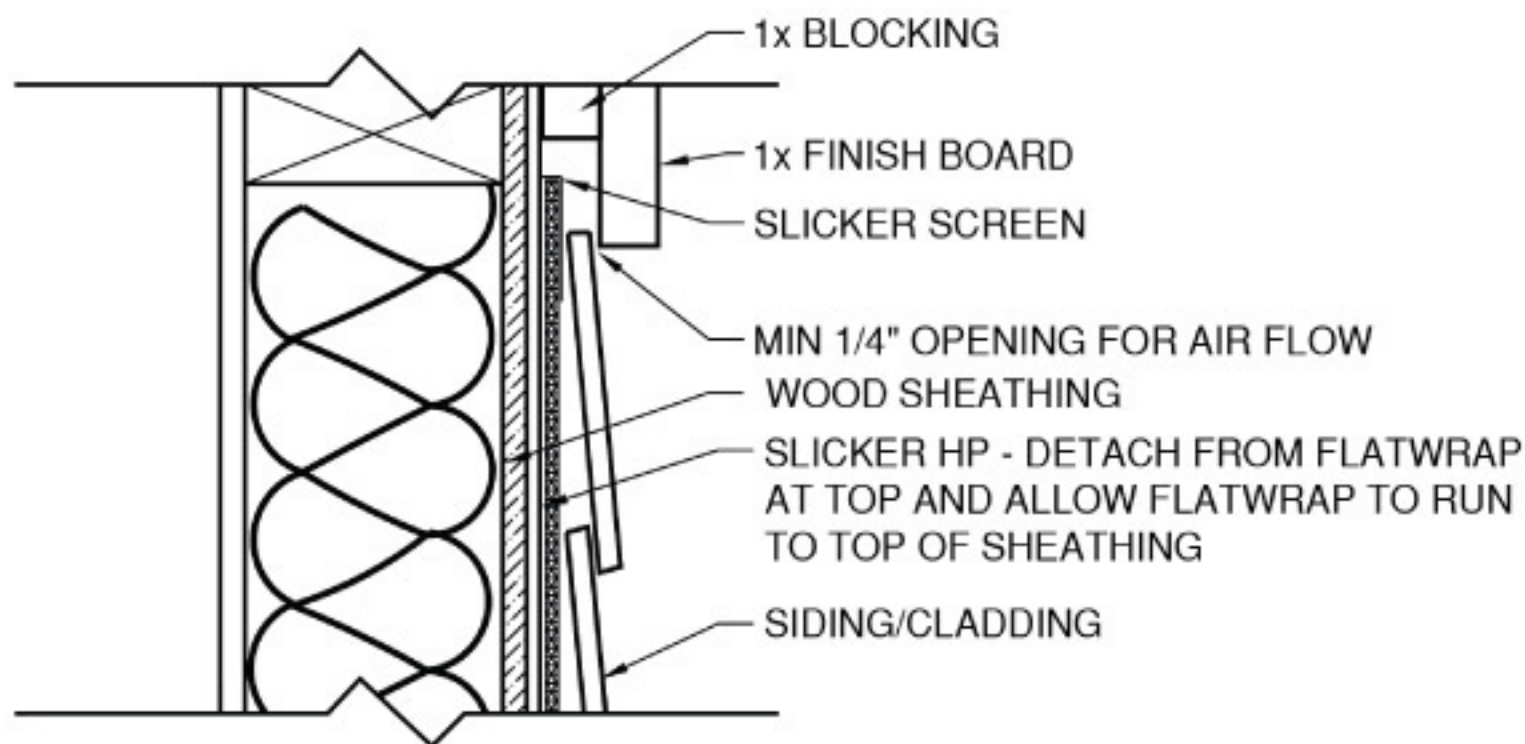
Step 4:
Start the next roll over the exposed FlatWrap HP. Edges of Slicker Matrix should be butted together. Seam tape at vertical and horizontal seams is optional.

Step 5:
To create horizontal seams between rolls, unroll the second course in the same manner as previous course. With the new roll, butt the edges of rolls or courses of Slicker entangled matrix together. Overlap the exposed FlatWrap HP flap. Nail or staple every three square feet.

Step 6:
Install siding or cladding system over wall surface, per manufacturer's installation instructions within 30 days of Slicker HP application. Allow for thickness of Slicker HP in nail trim selection.

Batten UV Detail: Batten UV as Starter Strip for Slicker HP Rainscreen



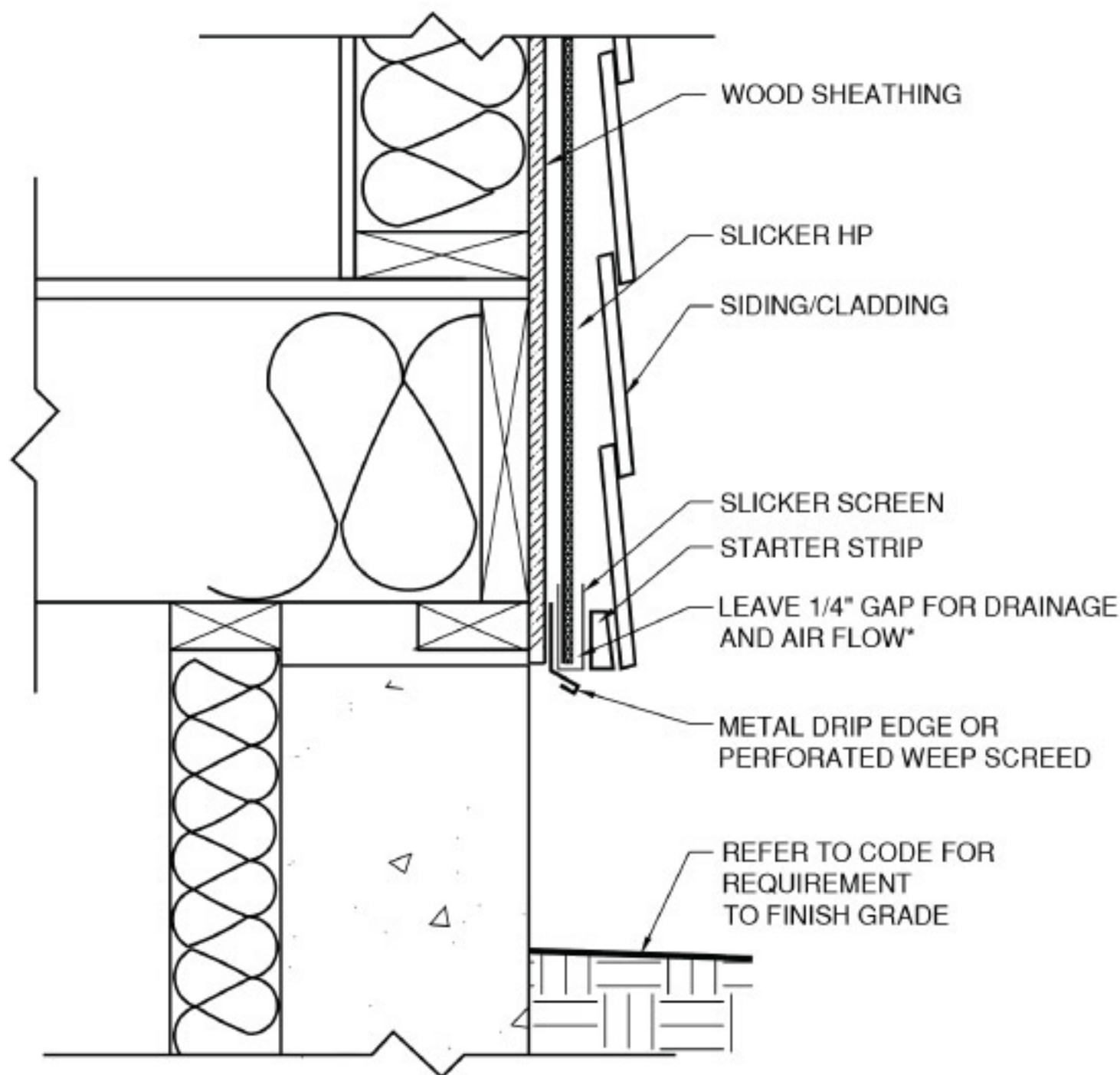
Top of Wall Detail

Run Slicker HP to within 3 inches of soffit overhang. Detach from FlatWrap HP at the top and allow FlatWrap HP to run to top of sheathing. Install a 1 inch x 3 inch board in the space between top of Slicker HP and bottom of soffit. Install siding to within 4 inches of soffit overhang. Install a 1 inch x 6 inch finish trim board or 6 inch piece of siding over the 1 inch x 3 inch board. This will allow for air movement, which will provide convective drying and ventilation behind the cladding. Apply Slicker Screen or a 6 inch wide window screen material (1/8 inch max. hole size; as indicated in bottom detail) to top edge of Slicker HP.

NOTE:

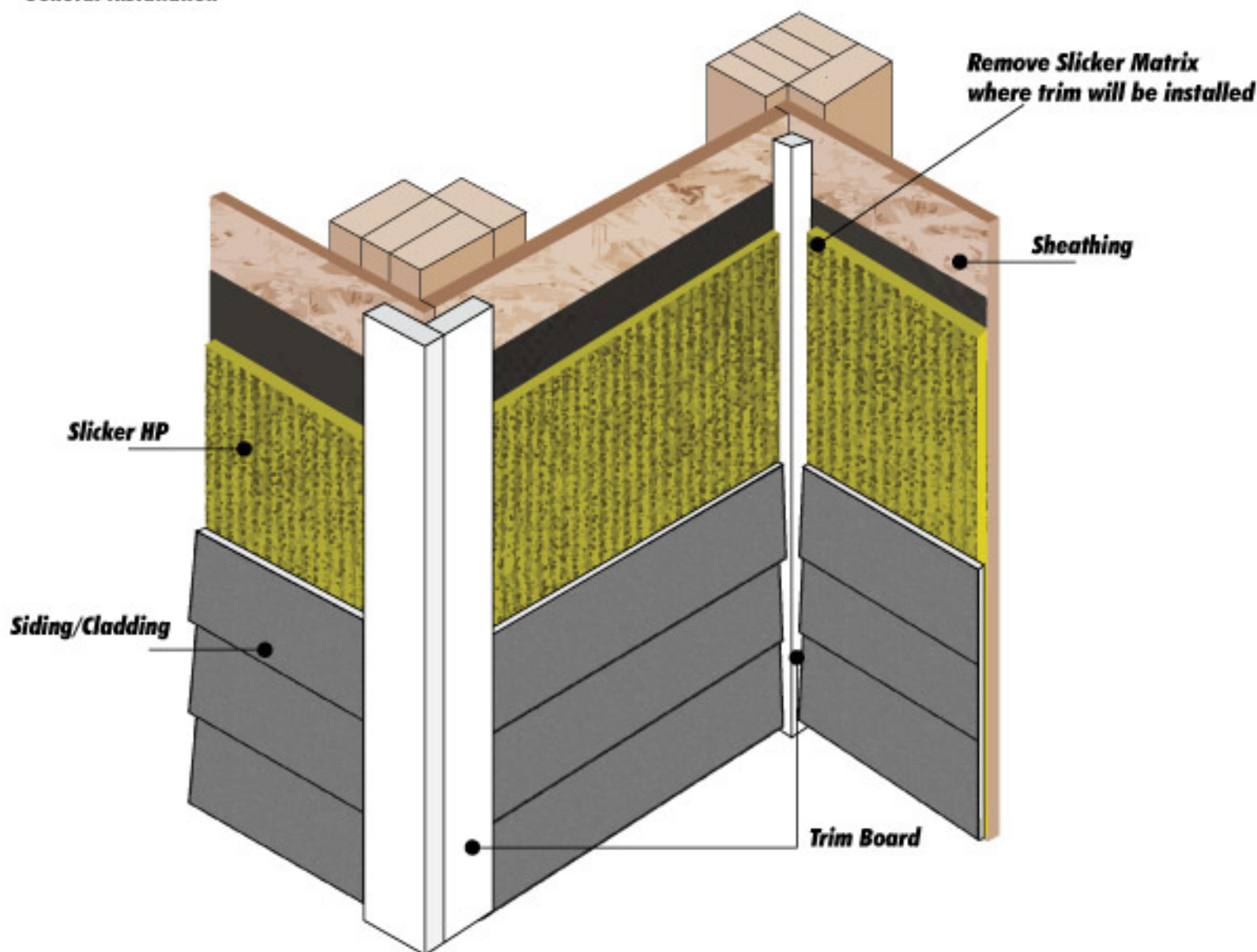
Leave 1/4 inch gap at top opening for Slicker HP. Top detail not required. Recommended to maximize airflow, but not a requirement.

Bottom of Wall Detail



Note: Leave 1/4 inch gap at bottom opening for Slicker HP.

General Installation



Install Slicker HP continuously around corners. Detach and remove matrix at trim location. Apply trim boards to outside and inside corners or shim smaller trim boards out to account for Slicker HP thickness. This gives the added benefit of “compartmentalizing” each wall section, which will assist in pressure moderation to reduce potential for water intrusion.

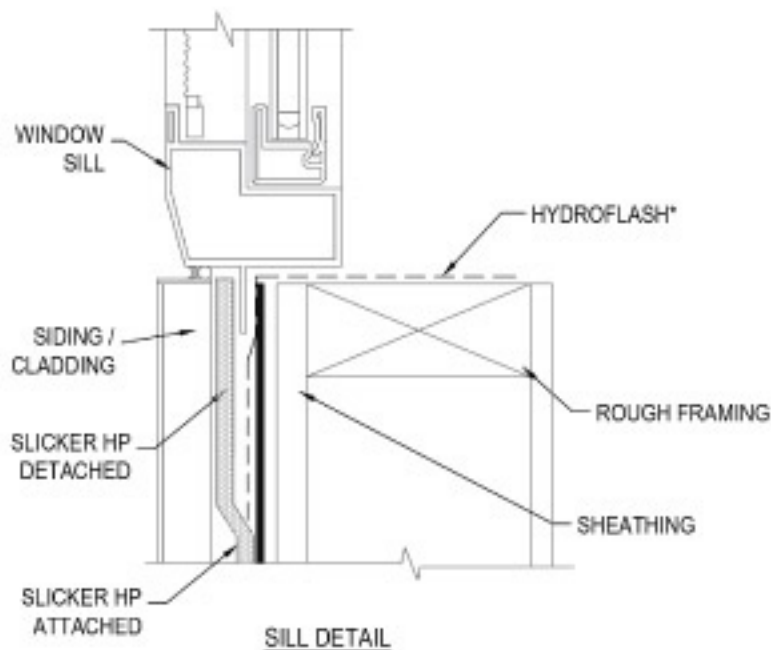
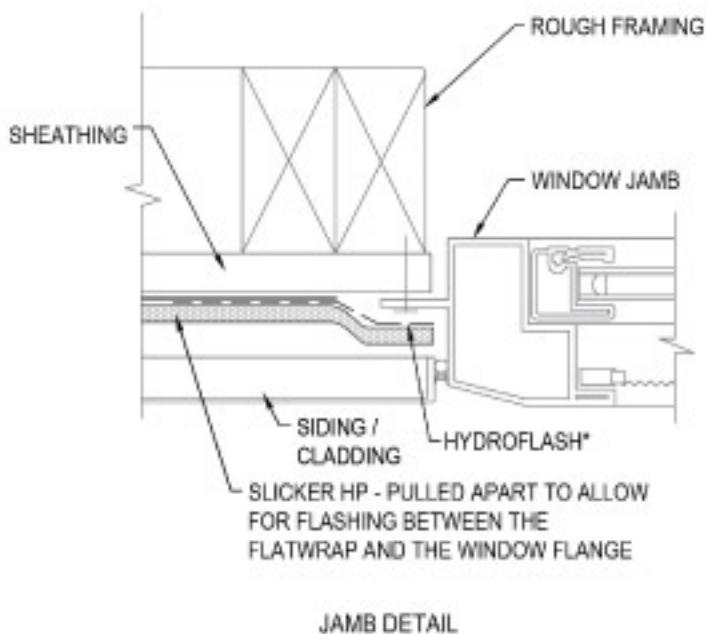
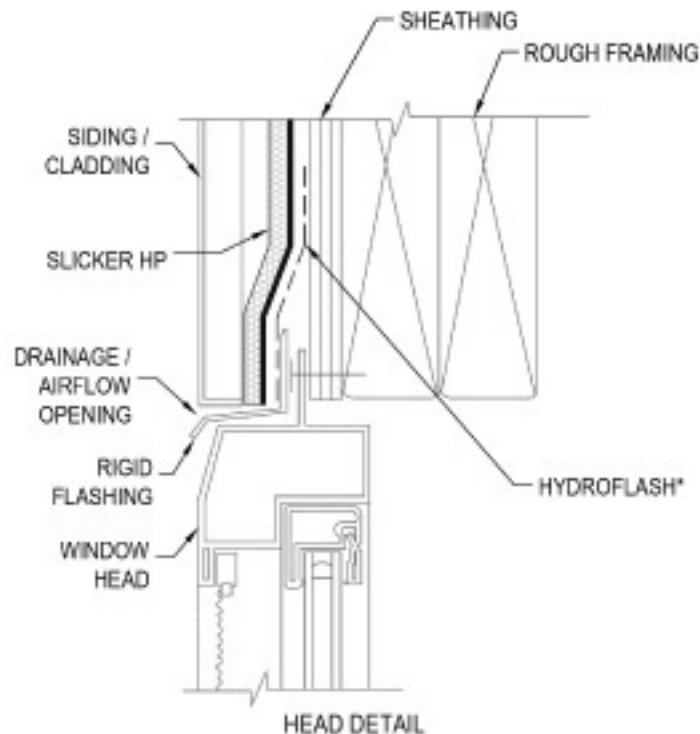
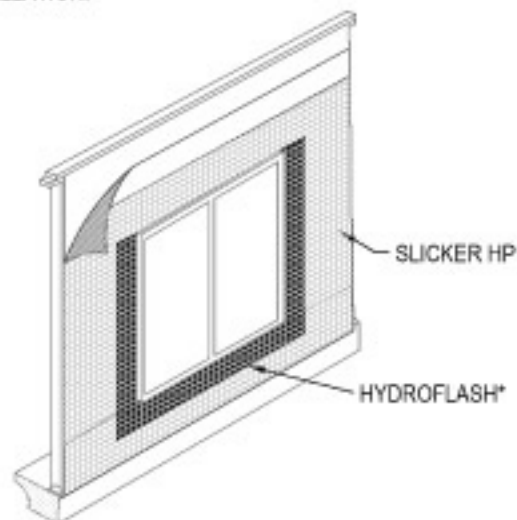
Optionally, Slicker HP may be installed under trim boards as well.

Notes:

Trimboard installation to be completed in accordance with manufacturer’s specifications.

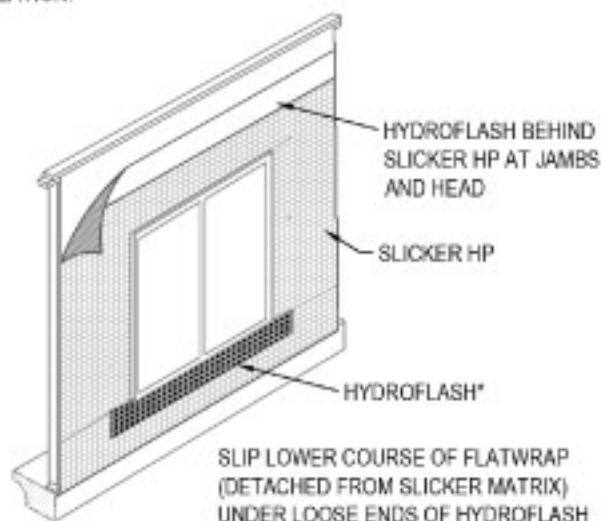
Window Detail: Flanged Window with WRB Installed Before the Window

INSTALL WITH HIGHER COURSE OVERLAPPING
FLATWRAP OF LOWER COURSE.
SLICKER MATRIX CAN BE DETACHED FROM
FLATWRAP FOR EASE OF WINDOW FLASHING
INSTALLATION.

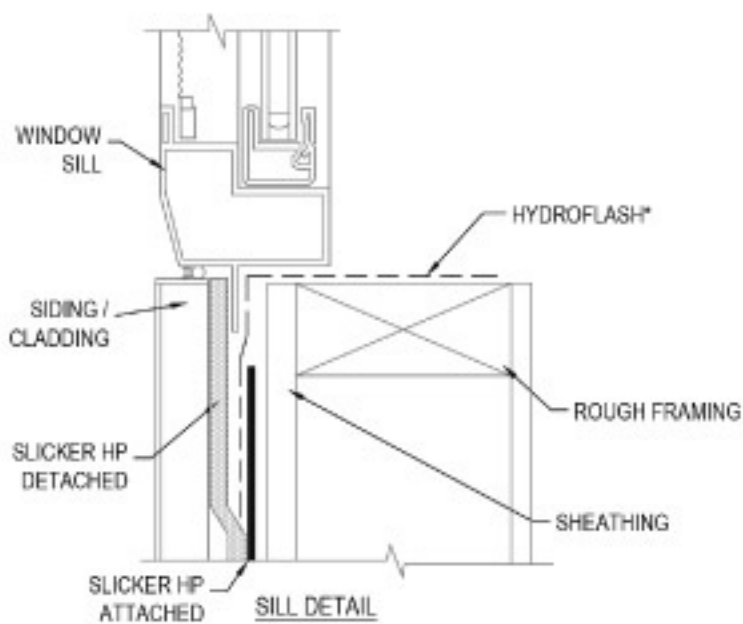
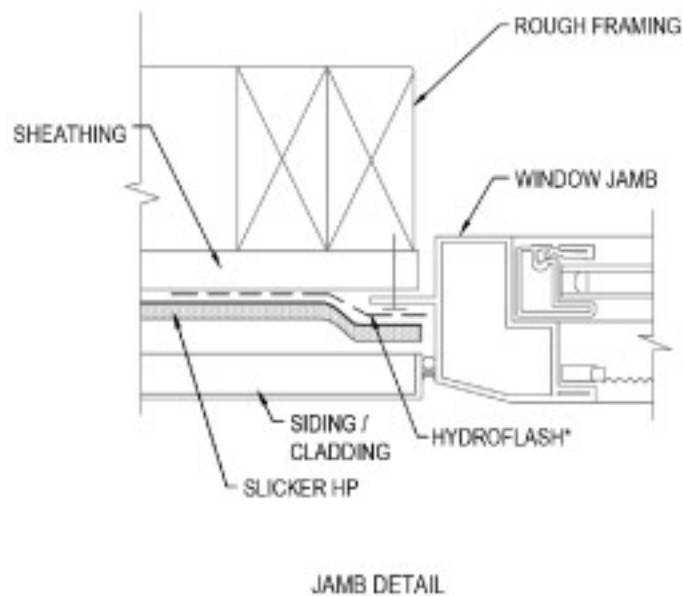
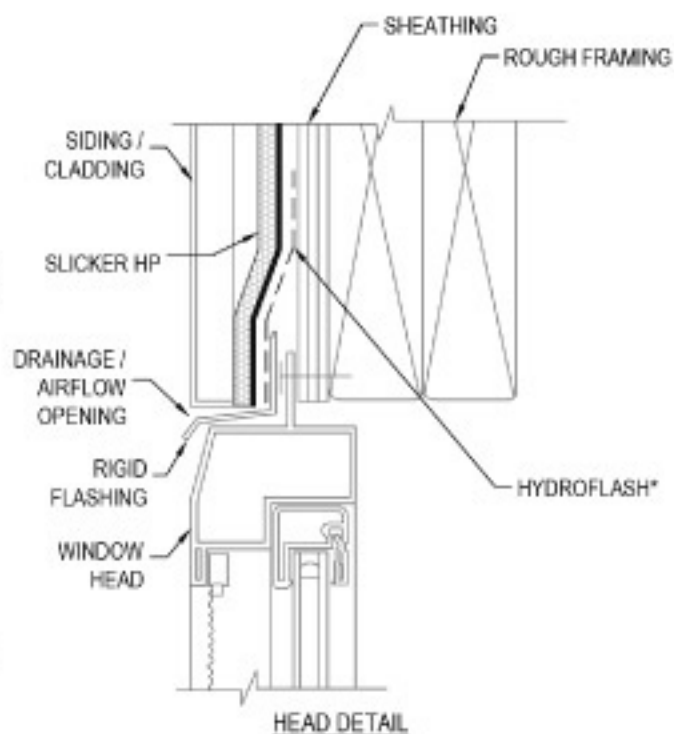


Window Detail: Flanged Window with WRB Installed After the Window

INSTALL WITH HIGHER COURSE OVERLAPPING
FLATWRAP OF LOWER COURSE.
SLICKER MATRIX CAN BE DETACHED FROM
FLATWRAP FOR EASE OF WINDOW FLASHING
INSTALLATION.

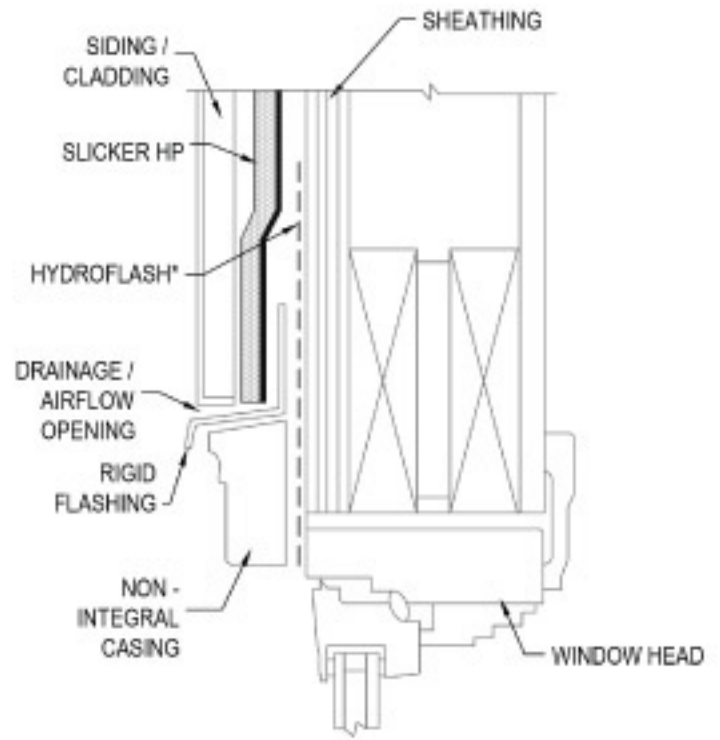
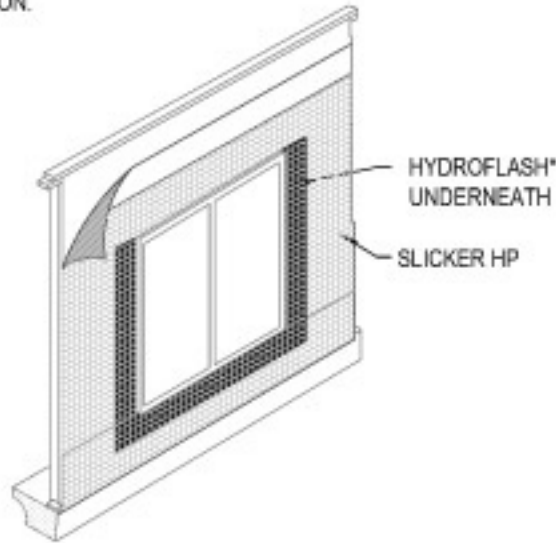


SLIP LOWER COURSE OF FLATWRAP
(DETACHED FROM SLICKER MATRIX)
UNDER LOOSE ENDS OF HYDROFLASH
TAPE AT BOTTOM OF WINDOW.
EXTEND SLICKER MATRIX OVER THE
FLASHING.

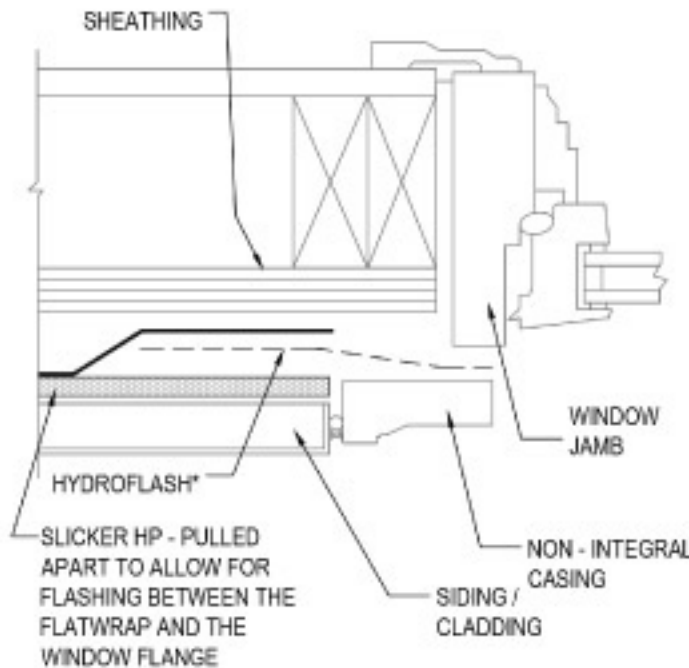


Window Detail: Non-Flanged Window with WRB Installed Before the Window

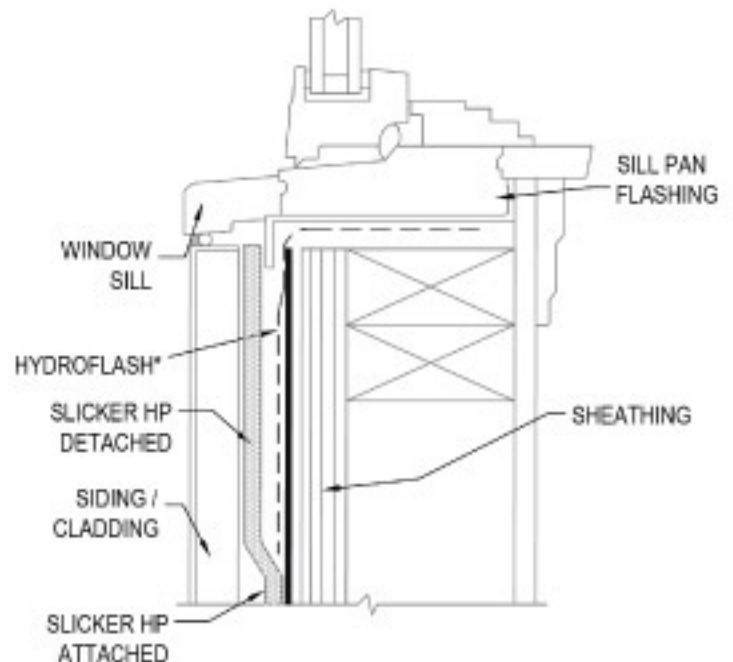
INSTALL WITH HIGHER COURSE OVERLAPPING
FLATWRAP OF LOWER COURSE.
SLICKER MATRIX CAN BE DETACHED FROM
FLATWRAP FOR EASE OF WINDOW FLASHING
INSTALLATION.



HEAD DETAIL



JAMB DETAIL



SILL DETAIL

Window Detail: Non-Flanged Window with WRB Installed After the Window

INSTALL WITH HIGHER COURSE OVERLAPPING
FLATWRAP OF LOWER COURSE.
SLICKER MATRIX CAN BE DETACHED FROM
FLATWRAP FOR EASE OF WINDOW FLASHING
INSTALLATION.

