

slicker® rainscreen

hydroflash®

accessories

SLICKER® RAINSCREEN

installation instructions

SLICKER® RAINSCREEN INSTALLATION INSTRUCTIONS

slicker® rainscreen

hydroflash®

accessories

NAIL SELECTION GUIDE

WOOD SIDING

All nails are required to meet the following conditions:

- siding or box nail
- blunt-tipped to reduce splitting
- ring or spiral threaded shanks to provide holding power
- stainless steel, hot-dipped, galvanized or aluminum
- minimum 1 1/4 in. penetration into studs

NOTE: To prevent bleeding and corrosive staining, use only stainless steel nails in the following situations: no stain on siding, clear or semi-transparent stain on siding, or an application that is subject to sea coast exposure.

DO NOT OVERDRIVE NAILS

Pneumatic nail guns can be use if collated nails meet prior recommendations and the air pressure and depth gauge is set so that the nail is driven snug with the surface.

WOOD SHINGLES/SHAKES

All nails are required to meet the following conditions:

- siding or box nail
- blunt-tipped to reduce splitting
- ring or spiral threaded shanks to provide holding power
- stainless steel, hot-dipped, galvanized or aluminum
- minimum 1/2 in. to 3/4 in. penetration into sheathing

NOTE: To prevent bleeding and corrosive staining, use only stainless steel nails in the following situations: no stain on siding, clear or semi-transparent stain on siding, or an application that is subject to sea coast exposure.

DO NOT OVERDRIVE NAILS

Pneumatic nail guns can be use if collated nails meet prior recommendations and the air pressure and depth gauge is set so that the nail is driven snug with the surface.

FIBER CEMENT PLANK & PANEL

All nails are required to meet the following conditions:

- siding or box nail
- blunt-tipped to reduce splitting
- ring or spiral threaded shanks to provide holding power
- stainless steel, hot-dipped, galvanized or aluminum
- minimum 1 1/4 in. penetration into studs

NOTE: To prevent bleeding and corrosive staining, use only stainless steel nails in the following situations: no stain on siding, clear or semi-transparent stain on siding, or an application that is subject to sea coast exposure.

DO NOT OVERDRIVE NAILS

Pneumatic nail guns can be use if collated nails meet prior recommendations and the air pressure and depth gauge is set so that the nail is driven snug with the surface.

VIRTUAL JOBSITE VISIT

Project specific installation training and window mockups are recommended to verify proper details and reduce the learning curve for installers and design professionals. Please contact us at techsupport@obdyke.com, or fill out the request form on our website,

OR SCAN THE QR CODE HERE.



SLICKER® RAINSCREEN INSTALLATION INSTRUCTIONS

slicker® rainscreen

hydroflash®

accessories

SLICKER® RAINSCREEN GENERAL INSTALLATION



- Install sidewall material over studs and apply a water resistive barrier (ie. FlatWrap® HP) per manufacturer's installation instructions. Install Slicker® Classic after windows are properly installed and flashed. Refer to window installation details on flashing integration. Refer to bottom detail to deter insect infiltration.
- Roll out Slicker® Classic wherever siding or cladding will be applied with channels running vertically. Do not stretch Slicker® Classic - it should lie flat against the wall. Nail or staple (min. 1/2 in. staple) every 3 square feet. (For stucco or application, please refer to installation instructions for Slicker® MAX).
- Butt edges of new rolls or new courses together - Do not overlap layers of Slicker® Classic. Cover entire wall surface wherever siding materials will be installed.
- Install siding or cladding system over wall surface per manufacturer's installation instructions, within 30 days of Slicker® Classic application. For additional UV resistance, consider using Slicker® MAX for exposure up to 90 days. Allow for thickness of Slicker® Classic (6mm or 10mm) in nail selection. **DO NOT OVERNAIL**

SLICKER® RAINSCREEN INSTALLATION INSTRUCTIONS

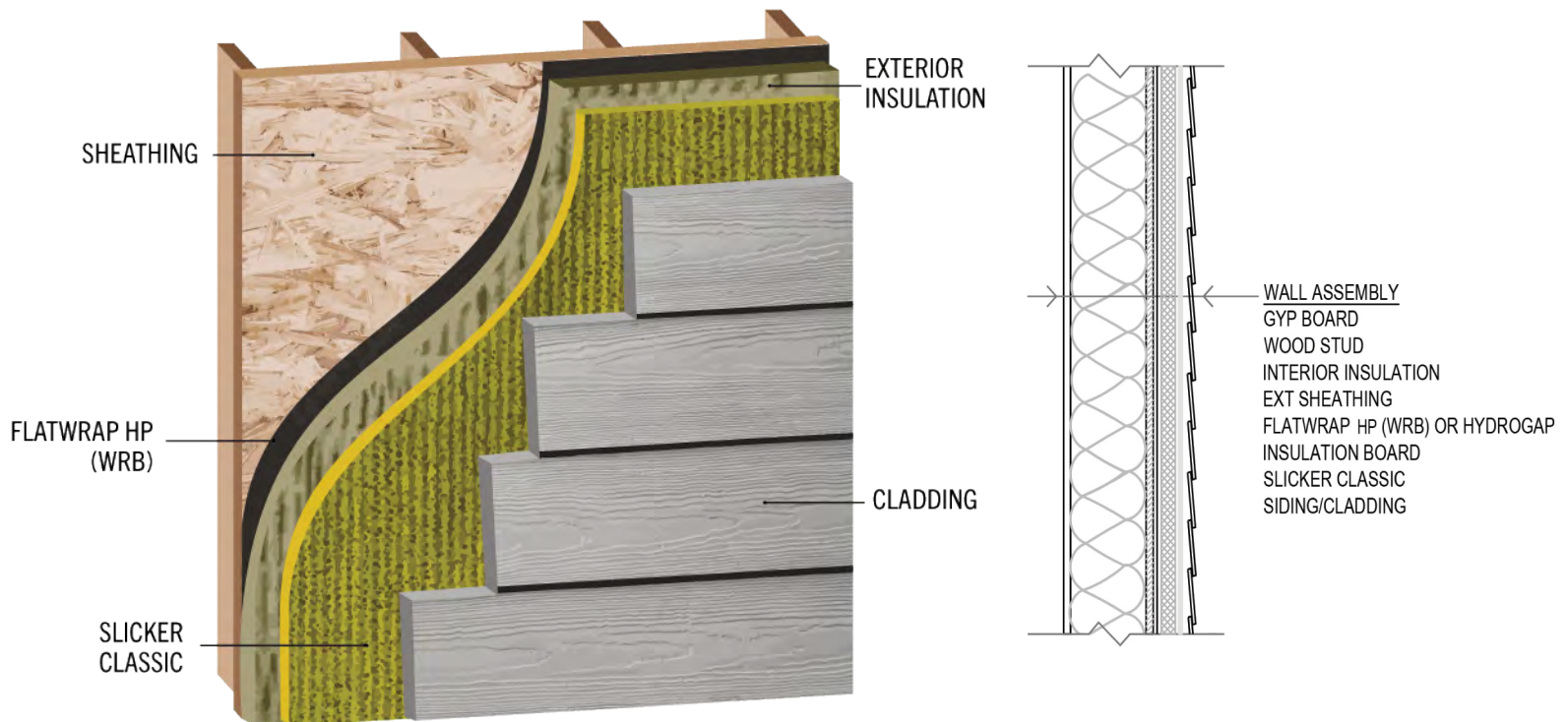
slicker® rainscreen

hydroflash®

accessories

SLICKER® RAINSCREEN GENERAL INSTALLATION

Installation with Insulation Board



- Install sidewall material over studs and apply a water resistive barrier (ie. FlatWrap® HP) per manufacturer's installation instructions. Install Slicker® Classic after windows are properly installed and flashed. Refer to window installation details on flashing integration. Refer to bottom detail to deter insect infiltration.
- Roll out Slicker® Classic (over the insulation board) wherever siding or cladding will be applied with channels running vertically. Do not stretch Slicker® Classic - it should lie flat against the wall. Fasten Slicker Classic every 3 sq. ft. with fasteners of sufficient length to penetrate the wall sheathing by at least 1/2 in. to ensure optimal attachment of product. (For stucco or stone application, please refer to installation instructions for Slicker® MAX).
- Butt edges of new rolls or new courses together - Do not overlap layers of Slicker® Classic. Cover entire wall surface wherever siding materials will be installed.
- Install siding or cladding system over wall surface per manufacturer's installation instructions, within 30 days of Slicker® Classic application. For additional UV resistance, consider using Slicker® MAX for exposure up to 90 days. Allow for thickness of Slicker® Classic (6mm or 10mm) in nail selection. **DO NOT OVERNAIL**

SLICKER® RAINSCREEN INSTALLATION INSTRUCTIONS

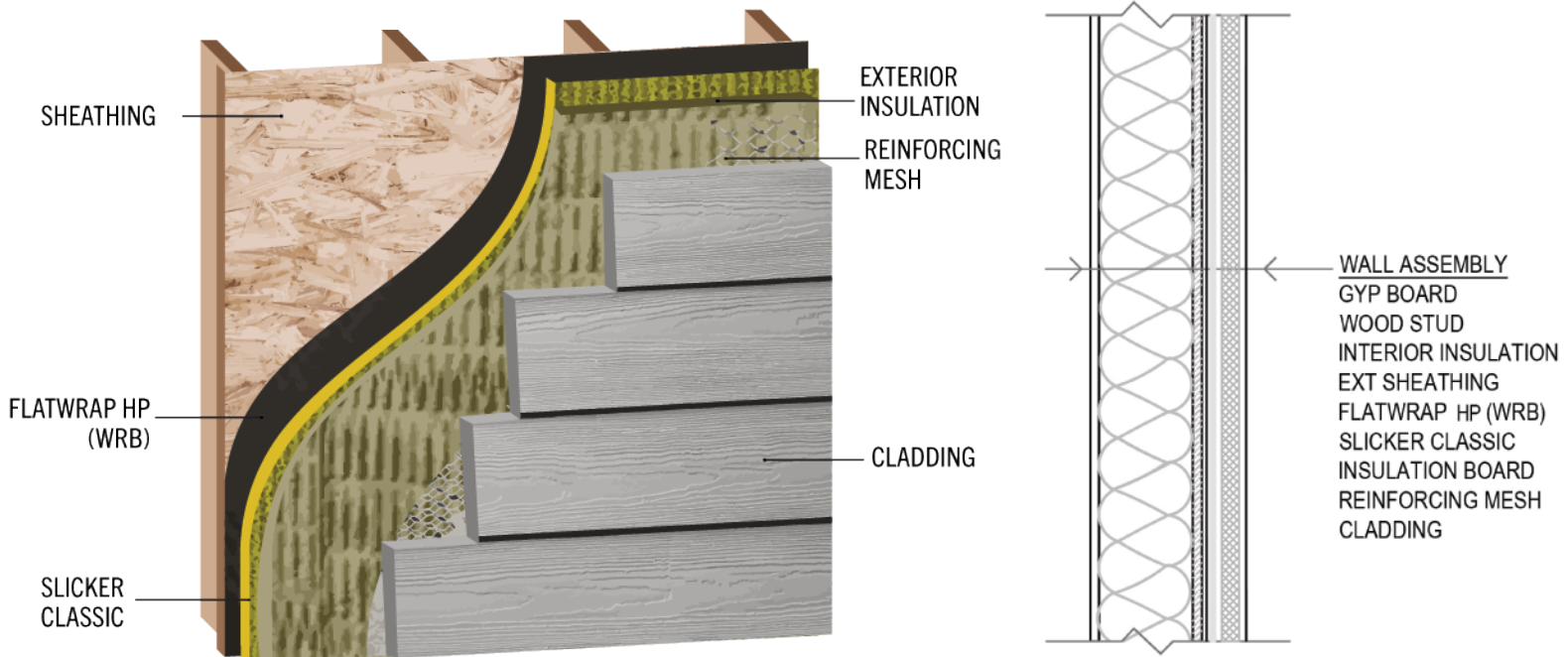
slicker® rainscreen

hydroflash®

accessories

SLICKER® RAINSCREEN GENERAL INSTALLATION

Installation with EIFS



- Install sidewall material over studs and apply a water resistive barrier (ie. FlatWrap® HP) per manufacturer's installation instructions. Install Slicker® Classic after windows are properly installed and flashed. Refer to window installation details on flashing integration. Refer to bottom detail to deter insect infiltration.
- Roll out Slicker® Classic (over the insulation board) wherever siding or cladding will be applied with channels running vertically. Do not stretch Slicker® Classic - it should lie flat against the wall. Fasten Slicker Classic every 3 sq. ft. with fasteners of sufficient length to penetrate the wall sheathing by at least 1/2 in. to ensure optimal attachment of product. (For stucco or stone application, please refer to installation instructions for Slicker® MAX).
- Butt edges of new rolls or new courses together - Do not overlap layers of Slicker® Classic. Cover entire wall surface wherever siding materials will be installed.
- Install lath and cladding system over wall surface (over Slicker® Classic and insulation board) per manufacturer's installation instructions. Allow for thickness of Slicker® Classic (6mm or 10mm) in nail selection. **DO NOT OVERNAIL**

SLICKER® RAINSCREEN INSTALLATION INSTRUCTIONS

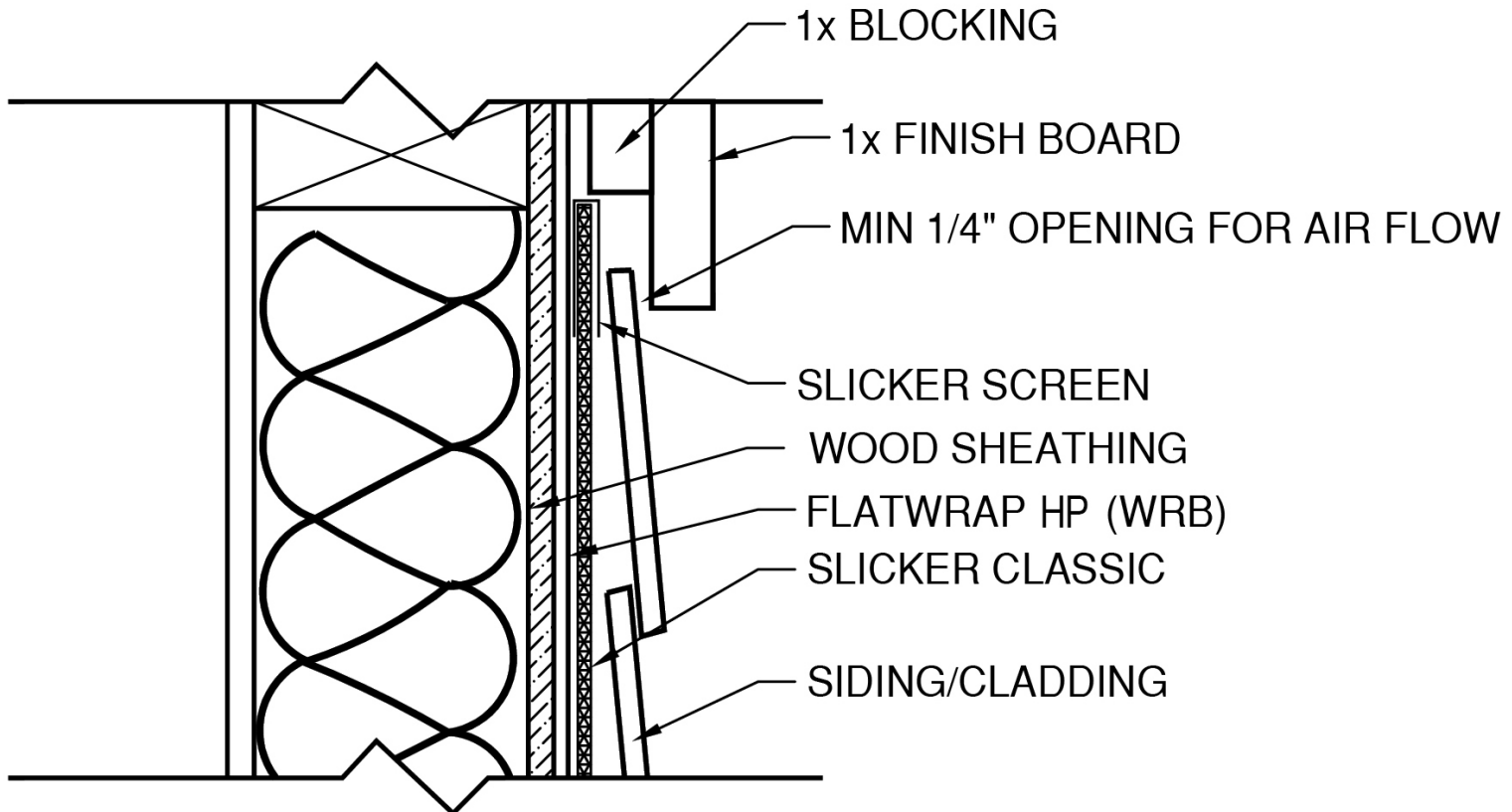
slicker® rainscreen

hydroflash®

accessories

SLICKER® RAINSCREEN GENERAL INSTALLATION

Top of Wall Detail



Run Slicker Classic within 3 inches of soffit overhang. Install a 1 inch x 3 inch board in the space between the top of Slicker Classic and bottom of soffit. Install siding within 4 inches of soffit overhang. Install a 1 inch x 6 inch finish trim board or 6 inch piece of siding over the 1 inch x 3 inch board. This will allow for air movement, which will provide convective drying and ventilation behind the cladding. Apply Slicker Screen or a 6 inch wide window screen material (1/8 inch max. hole size; as indicated in bottom detail) to top edge of Slicker Classic.

NOTE: Leave 1/4 inch gap at top opening for Slicker Classic or 10 mm for Slicker 10 Classic. Top detail not required. Recommended to maximize airflow, but not a requirement.

SLICKER® RAINSCREEN INSTALLATION INSTRUCTIONS

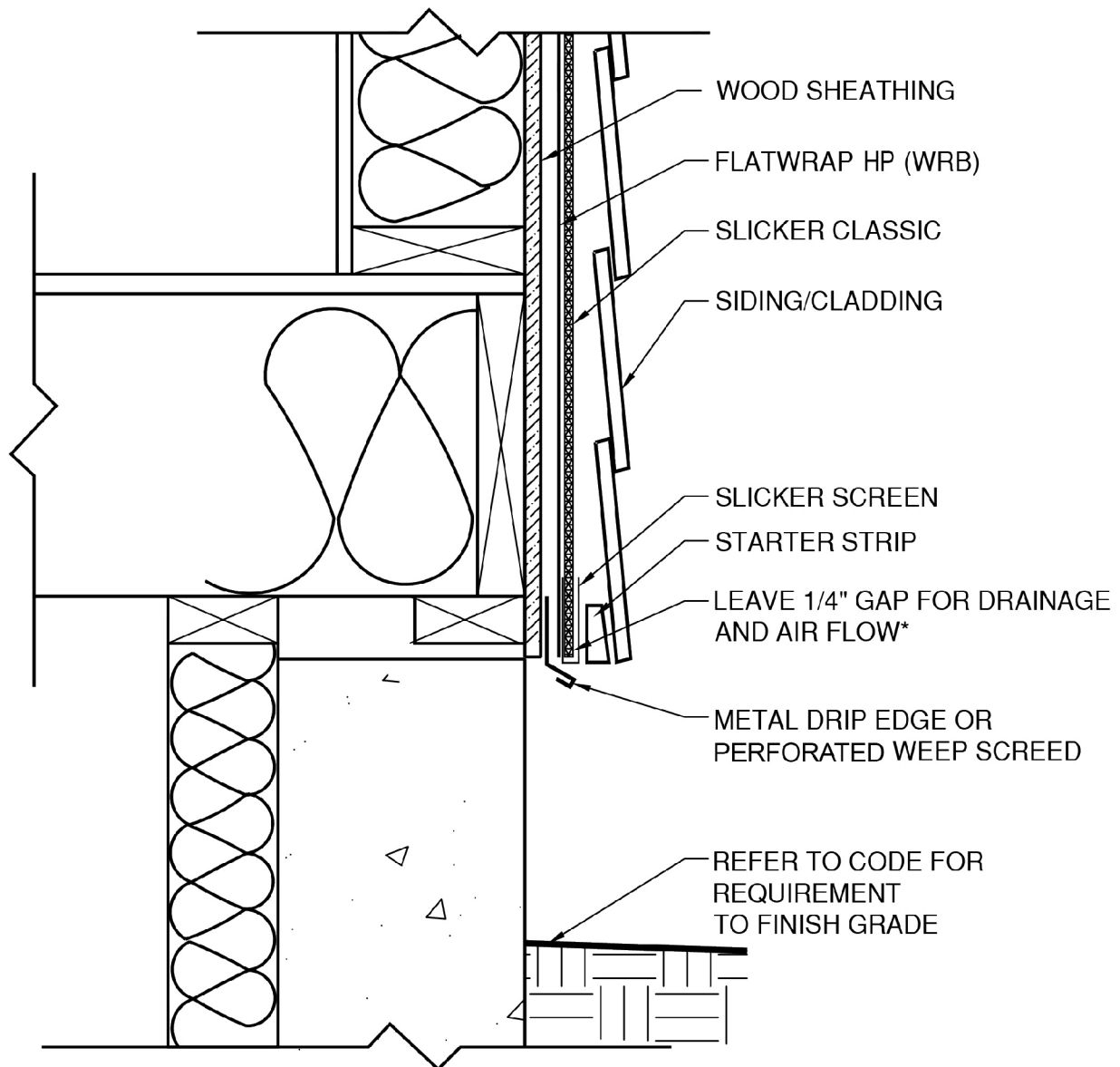
slicker® rainscreen

hydroflash®

accessories

SLICKER® RAINSCREEN GENERAL INSTALLATION

Bottom of Wall Detail



To prevent insect infiltration along bottom edge of siding, attach Slicker Screen or a 6 inch wide window screen material (1/8 inch max. hole size) along the wall 3 inches above bottom edge of Slicker Classic. Fold up onto outer surface of installed Slicker Classic and fasten with a large head nail to hold in place prior to applying siding or cladding.

NOTE: Leave 1/4 inch gap at the bottom opening for Slicker Classic or 10 mm gap for Slicker 10 Classic.

SLICKER® RAINSCREEN INSTALLATION INSTRUCTIONS

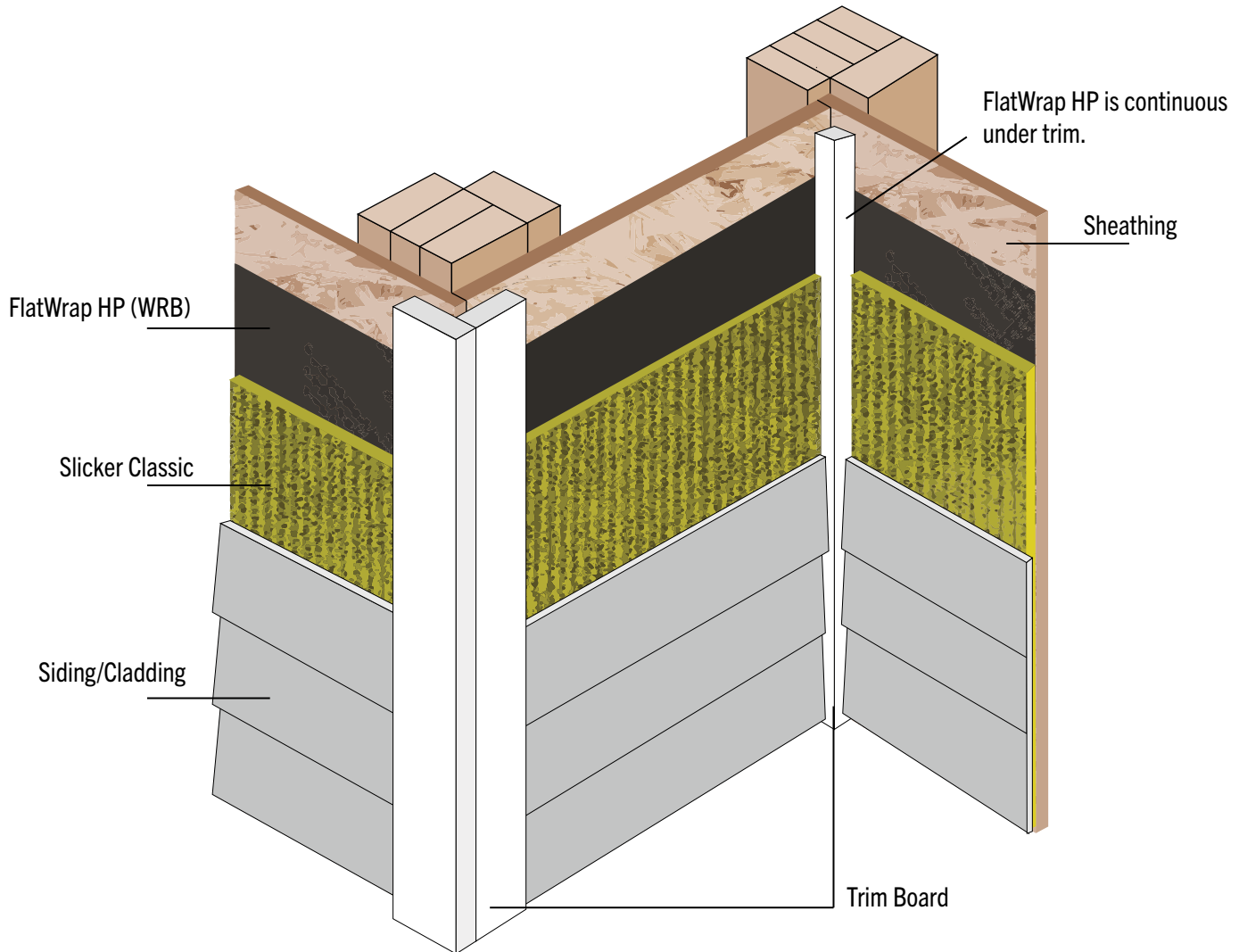
slicker® rainscreen

hydroflash®

accessories

SLICKER® RAINSCREEN GENERAL INSTALLATION

Corner of Wall Detail



Apply trim boards to outside and inside corners or shim smaller trim boards out to account for Slicker Classic thickness. Install Slicker Classic up to trim board and butt edge of Slicker Classic against trim board. This gives the added benefit of “compartmentalizing” each wall section, which will assist in pressure moderation to reduce potential for water intrusion.

Optionally, Slicker Classic may be installed under trim boards as well.

NOTE:

1. Trimboard installation to be completed in accordance with manufacturer’s specifications.
2. Prior to Slicker Classic installation, install sidewall sheathing material over wall studs and apply FlatWrap HP Housewrap (or WRB) per manufacturer’s instructions.

SLICKER® RAINSCREEN INSTALLATION INSTRUCTIONS

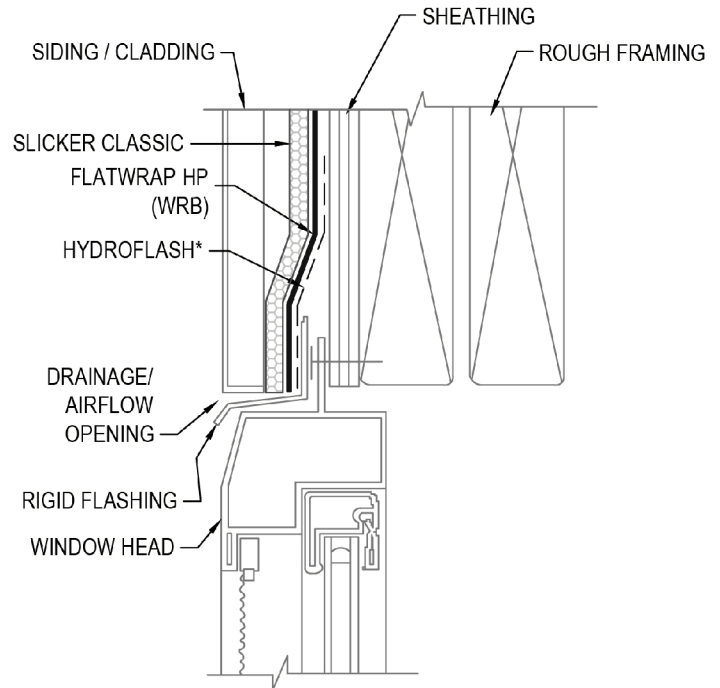
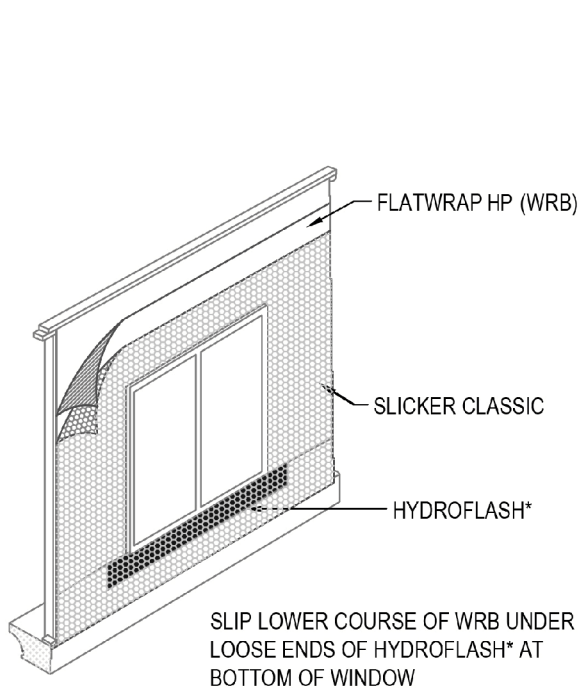
slicker® rainscreen

hydroflash®

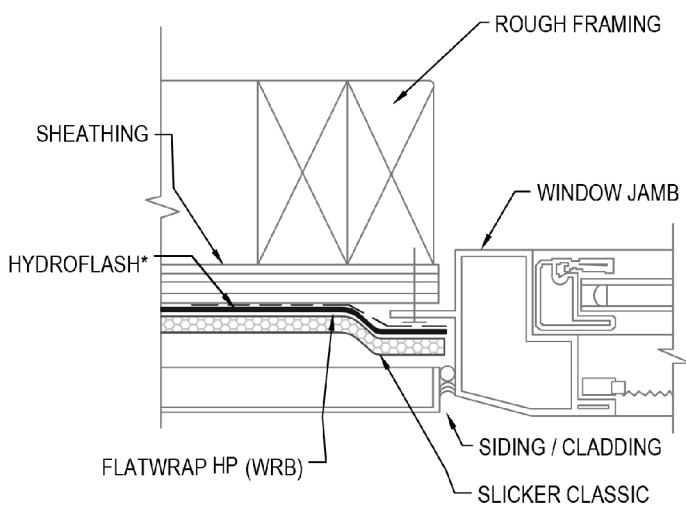
accessories

SLICKER® RAINSCREEN GENERAL INSTALLATION

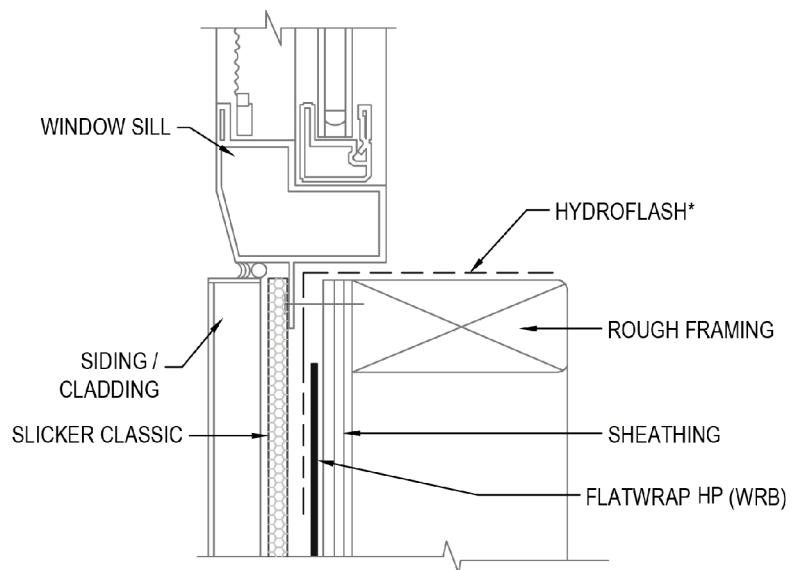
Window Detail: Flanged Window with WRB installed After the Window



HEAD DETAIL



JAMB DETAIL



SILL DETAIL

SLICKER® RAINSCREEN INSTALLATION INSTRUCTIONS

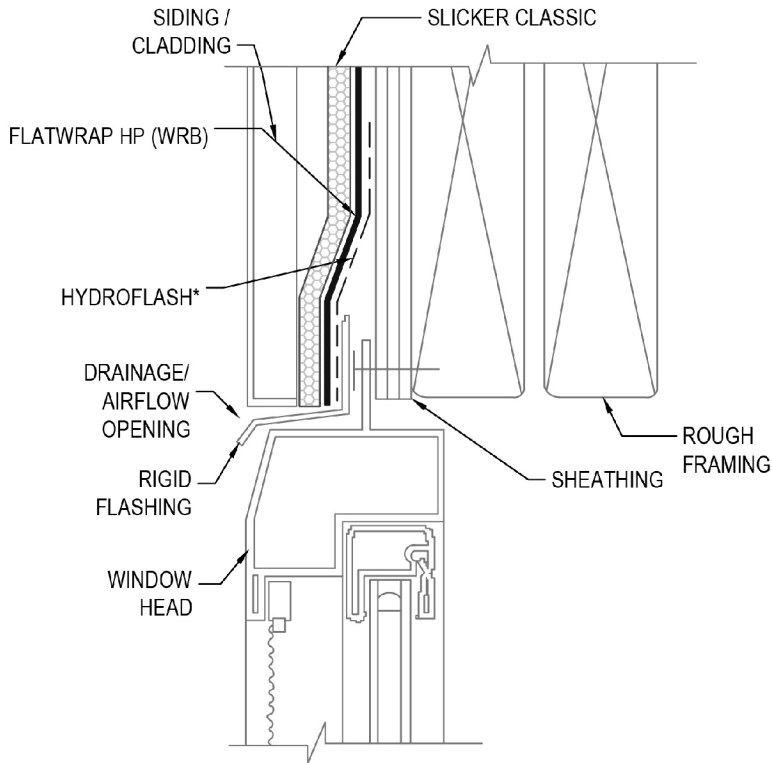
slicker® rainscreen

hydroflash®

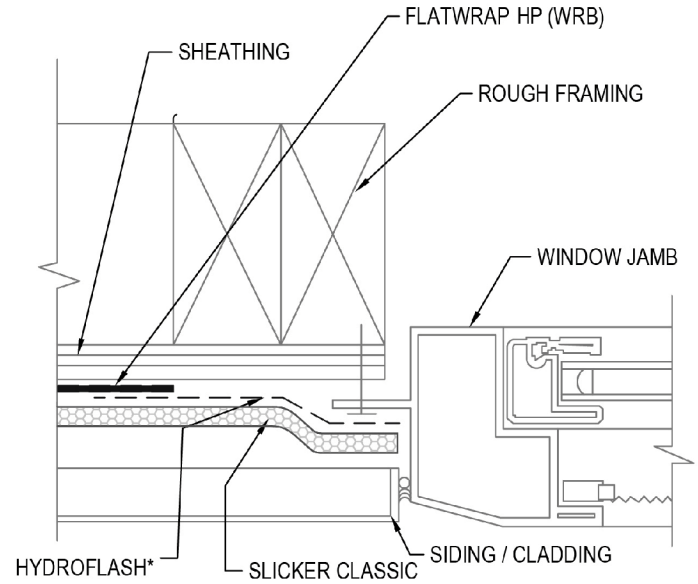
accessories

SLICKER® RAINSCREEN GENERAL INSTALLATION

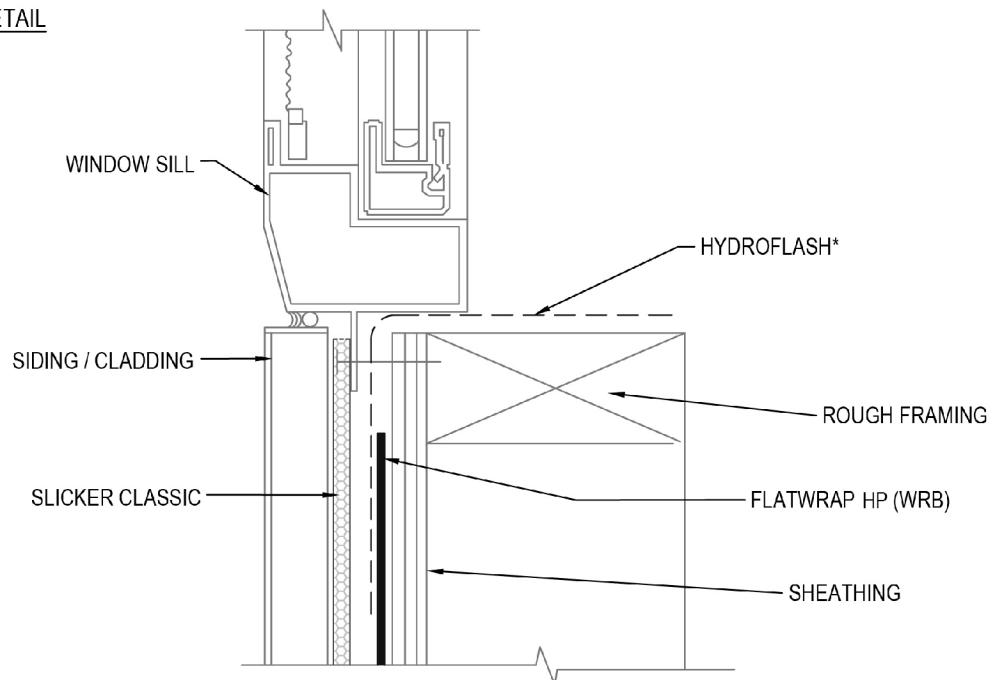
Window Detail: Flanged Window with WRB installed Before the Window



HEAD DETAIL



JAMB DETAIL



SILL DETAIL

SLICKER® RAINSCREEN INSTALLATION INSTRUCTIONS

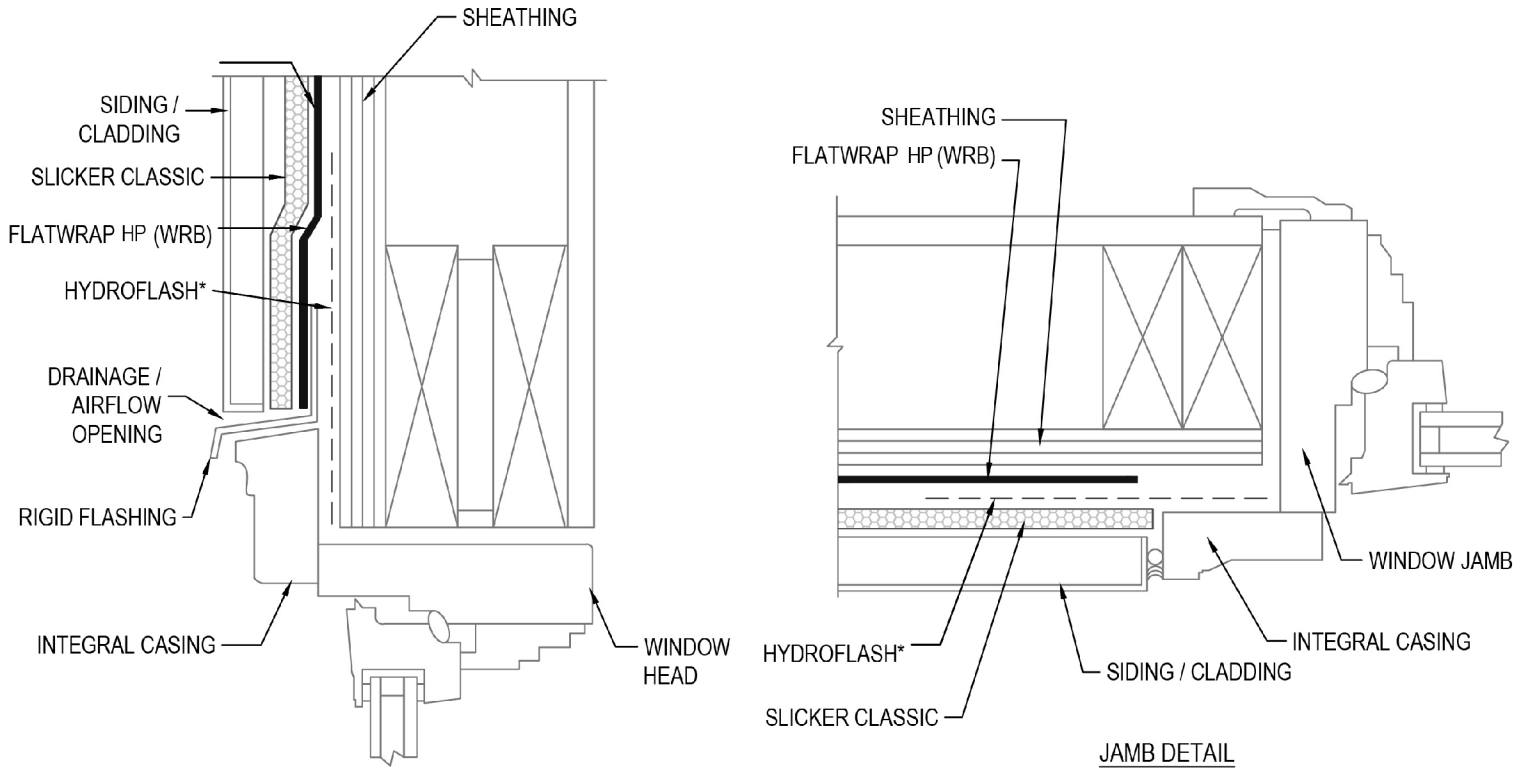
slicker® rainscreen

hydroflash®

accessories

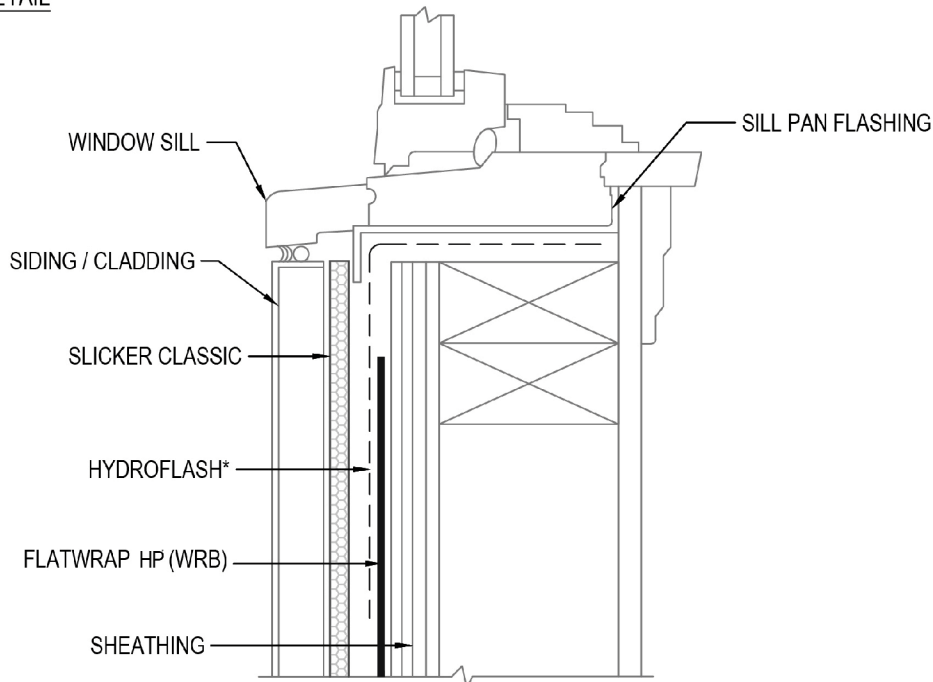
SLICKER® RAINSCREEN GENERAL INSTALLATION

Window Detail: Non-Flanged Window with WRB installed Before the Window



HEAD DETAIL

JAMB DETAIL



SILL DETAIL

SLICKER® RAINSCREEN INSTALLATION INSTRUCTIONS

slicker® rainscreen

hydroflash®

accessories

SLICKER® RAINSCREEN GENERAL INSTALLATION

Window Detail: Non-Flanged Window with WRB installed After the Window

