



DEPARTMENT OF REGULATORY AND ECONOMIC RESOURCES (RER)
BOARD AND CODE ADMINISTRATION DIVISION

MIAMI-DADE COUNTY
PRODUCT CONTROL SECTION
11805 SW 26 Street, Room 208
Miami, Florida 33175-2474
T (786) 315-2590 F (786) 315-2599
www.miamidade.gov/economy

NOTICE OF ACCEPTANCE (NOA)

Benjamin Obdyke, Inc.
400 Babylon Rd., Suite A
Horsham, PA 19044

SCOPE:

This NOA is being issued under the applicable rules and regulations governing the use of construction materials. The documentation submitted has been reviewed and accepted by Miami-Dade County RER - Product Control Section to be used in Miami-Dade County and other areas where allowed by the Authority Having Jurisdiction (AHJ).

This NOA shall not be valid after the expiration date stated below. The Miami-Dade County Product Control Section (in Miami-Dade County) and/or the AHJ (in areas other than Miami-Dade County) reserve the right to have this product or material tested for quality assurance purposes. If this product or material fails to perform in the accepted manner, the manufacturer will incur the expense of such testing and the AHJ may immediately revoke, modify, or suspend the use of such product or material within their jurisdiction. RER reserves the right to revoke this acceptance, if it is determined by Miami-Dade County Product Control Section that this product or material fails to meet the requirements of the applicable building code.

This product is approved as described herein, and has been designed to comply with the Florida Building Code including the High Velocity Hurricane Zone of the Florida Building Code.

DESCRIPTION: Xtractor Vent XLP, Xtractor Vent X18 and Shark Vent XLP

LABELING: Each unit shall bear a permanent label with the manufacturer's name or logo, city, state and following statement: "Miami-Dade County Product Control Approved", unless otherwise noted herein.

RENEWAL of this NOA shall be considered after a renewal application has been filed and there has been no change in the applicable building code negatively affecting the performance of this product.

TERMINATION of this NOA will occur after the expiration date or if there has been a revision or change in the materials, use, and/or manufacture of the product or process. Misuse of this NOA as an endorsement of any product, for sales, advertising or any other purposes shall automatically terminate this NOA. Failure to comply with any section of this NOA shall be cause for termination and removal of NOA.

ADVERTISEMENT: The NOA number preceded by the words Miami-Dade County, Florida, and followed by the expiration date may be displayed in advertising literature. If any portion of the NOA is displayed, then it shall be done in its entirety.

INSPECTION: A copy of this entire NOA shall be provided to the user by the manufacturer or its distributors and shall be available for inspection at the job site at the request of the Building Official.

This NOA renews NOA# 14-0501.05 and consists of pages 1 through 7.
The submitted documentation was reviewed by Alex Tigera.



NOA No: 21-0629.11
Expiration Date: 08/04/26
Approval Date: 08/05/21
Page 1 of 7

ROOFING COMPONENT APPROVAL

Category: Roofing
Sub-Category: Vents
Materials: Plastic

TRADE NAMES OF PRODUCTS MANUFACTURED OR LABELED BY APPLICANT

| <u>Product</u> | <u>Dimensions</u> | <u>Test Specification</u> | <u>Product Description</u> |
|---|---|---------------------------|---|
| Xtractor Vent XLP <i>Manufacturing Locations: #1, 2</i> | Length = 48" Width = 14" Thickness = 5/8" | TAS 110 | Externally baffled plastic ridge vent for installation with asphaltic shingle roof systems. |
| Xtractor Vent X18 <i>Manufacturing Locations: #1, 2</i> | Length = 48" Width = 14 3/4" Thickness = 13/16" | TAS 110 | Externally baffled plastic ridge vent for installation with asphaltic shingle roof systems. |
| Shark Vent XLP <i>Manufacturing Locations: #1</i> | Length = 25" Width = 14 3/4" Thickness = 5/8" | TAS 110 | Rigid, externally-baffled, nail gunnable ridge vent on a roll. |

MANUFACTURING LOCATION

- 1 . Perry, MO
2. Somerville, NJ

EVIDENCE SUBMITTED

| <u>Testing Agency</u> | <u>Test Identifier</u> | <u>Test Name/Report</u> | <u>Date</u> |
|----------------------------|------------------------|-------------------------|-------------|
| PRI Construction Materials | BOI-015-02-01 | TAS 110 | 01/15/15 |
| | BOI-015-02-02 | TAS 110 | 01/15/15 |
| | BOI-029-02-01 | TAS 110 | 09/11/15 |
| | BOI-025-02-01 | TAS 100(A) | 04/23/14 |
| | BOI-016-02-01 | TAS 100(A) | 01/15/15 |
| | BOI-017-02-01 | TAS 100(A) | 01/15/15 |
| | BOI-031-02-01 | ASTM D 1929 | 09/11/15 |
| | BOI-018-02-01 | ASTM D 635 | 01/15/15 |
| | BOI-019-02-01 | ASTM D 1929 | 01/15/15 |
| | BOI-027-02-01 | ASTM D 2843 | 01/15/15 |
| | BOI-028-02-01 | ASTM D 1929 | 01/15/15 |
| | BOI-018-02-02 | ASTM D 635 | 01/15/15 |
| | BOI-027-02-02 | ASTM D 2843 | 01/15/15 |
| | BOI-030-02-01 | ASTM D 635 | 09/11/15 |
| | BOI-032-02-01 | ASTM D 2843 | 09/11/15 |



NOA No: 21-0629.11
 Expiration Date: 08/04/26
 Approval Date: 08/05/21
 Page 2 of 7

APPROVED APPLICATIONS:

Trade Name: Xtractor Vent XLP

System Type A: Mechanical attachment of vent over asphaltic shingles roof systems.

Slot: Cut a slot in the wood deck sheathing along roof ridge 1 ½” wide (¾” on each side). The slot shall terminate a minimum of 12” at both ends of the ridge.

Installation: Place first piece of vent with female end 1” from gable end and use centering line for proper alignment along peak. Fasten each vent section to the deck with (6) 12 gage, 1 ¾” long galvanized ring shank nails placed approximately 1” from the ends of each vent section and in the middle along the manufacturer’s nail line. Nails shall be of sufficient length to penetrate through the sheathing a minimum of ¾”.

Continue installing additional vent sections along the ridge, as described above, sliding female ends over male ends. Align vent sections using centering line.

The last vent section may need to be cut to length. End plugs are provided every 12” on underside of the vent. Measure amount needed to install vent to within 1” of gable end. Cut the vent section to length and flip so that end plug is at gable end. Allow male end from previous piece to slide under the last vent section and nail in place as described above.

Ridge Shingles: Cover the vent with 12” wide ridge shingles. Each ridge shingle shall be fastened through the vent to the deck along the manufacturer marked nail line with (2) 12 gage, 1 ¾” long galvanized ring shank nails. Nails shall be of sufficient length to penetrate through the sheathing a minimum of ¾”.

Ridge shingles shall be installed in accordance to a current and approved Notice of Acceptance.

Ventilation

Calculations: See manufacturer’s published literature for net free area.

Minimum Slope: 3:12



Trade Name: Xtractor Vent X18

System Type A: Mechanical attachment of vent over asphaltic shingles roof systems.

Slot: Cut a slot in the wood deck sheathing along roof ridge 2" wide (1" on each side). The slot shall terminate a minimum of 12" at both ends of the ridge.

Installation: Place first piece of vent with female end 1" from gable end and use centering line for proper alignment along peak. Fasten each vent section to the deck with (6) 12 gage, 2 1/2" long galvanized ring shank nails placed approximately 1" from the ends of each vent section and in the middle along the manufacturer's nail line. Nails shall be of sufficient length to penetrate through the sheathing a minimum of 3/16".

Continue installing additional vent sections along the ridge, as described above, sliding female ends over male ends. Align vent sections using centering line.

The last vent section may need to be cut to length. End plugs are provided every 12" on underside of the vent. Measure amount needed to install vent to within 1" of gable end. Cut the vent section to length and flip so that end plug is at gable end. Allow male end from previous piece to slide under the last vent section and nail in place as described above.

Ridge Shingles: Cover the vent with 12" wide ridge shingles. Each ridge shingle shall be fastened through the vent to the deck along the manufacturer marked nail line with (2) 12 gage, 2 1/2" long galvanized ring shank nails. Nails shall be of sufficient length to penetrate through the sheathing a minimum of 3/16".

Ridge shingles shall be installed in accordance to a current and approved Notice of Acceptance.

Ventilation Calculations: See manufacturer's published literature for net free area.

Minimum Slope: 3:12



Trade Name: Shark Vent XLP

System Type A: Mechanical attachment of vent over asphaltic shingles roof systems.

Slot: Cut a slot in the wood deck sheathing along roof ridge 1 ½" wide (¾" on each side). If ridge beam is present, cut slot ¾" wide on each side of ridge beam. The slot shall terminate a minimum of 12" at both ends of the ridge.

Installation: Place beginning end of vent 1" in from gable end and use centering line for proper alignment along peak. Fasten using at least two nails at each end in nail line area (1 ¾" minimum nail length), then continue to nail approximately every 12 inches. More nails may be required on steeper slopes to seat properly. Continue installing additional rolls as needed along ridge aligning end to end, aligning centering line. When reaching the other end, cut vent roll to 1" from the gable end and nail in place. End plugs are provided every 12" on the underside of the product.

Ridge Shingles: Place first cap shingle over vent so that it overhangs at least 1" over end of vent roll. Install with approved nails that penetrate sheathing at least ¼" in nail line area as you work your way along the roof ridge. Cut last cap shingle so that it overhangs vent 1" at other gable end.

Ridge shingles shall be installed in accordance to a current and approved Notice of Acceptance.

Ventilation

Calculations: See manufacturer's published literature for net free area.

Minimum Slope: 3:12

LIMITATIONS:

1. Refer to applicable Building Code required ventilation.
2. The installation shall be applied in compliance with the manufacturer's current published application instruction and the requirements set forth in the applicable Building Code.
3. Xtractor Vent XLP and Xtractor Vent X18 are approved to be installed on asphaltic roof shingle systems only.
4. Xtractor Vent XLP and Xtractor Vent X18 shall not be installed on roof mean heights greater than 33 ft.
5. All products listed herein shall have a quality assurance audit in accordance with the Florida Building Code and Rule 61G20-3 of the Florida Administrative Code.
6. All plastic ridge vent manufacturers shall have an unannounced follow-up quality control program from an approved listing agency. Follow-up test results shall be made available to the Miami Dade Product Control Section upon request.
7. All approved products listed herein shall be labeled and shall bear the imprint or identifiable marking of the manufacturer's name or logo, city and state of manufacturing facility, and the following statement: "Miami-Dade County Product Control Approved" or the Miami-Dade County Product Control Seal as shown below.

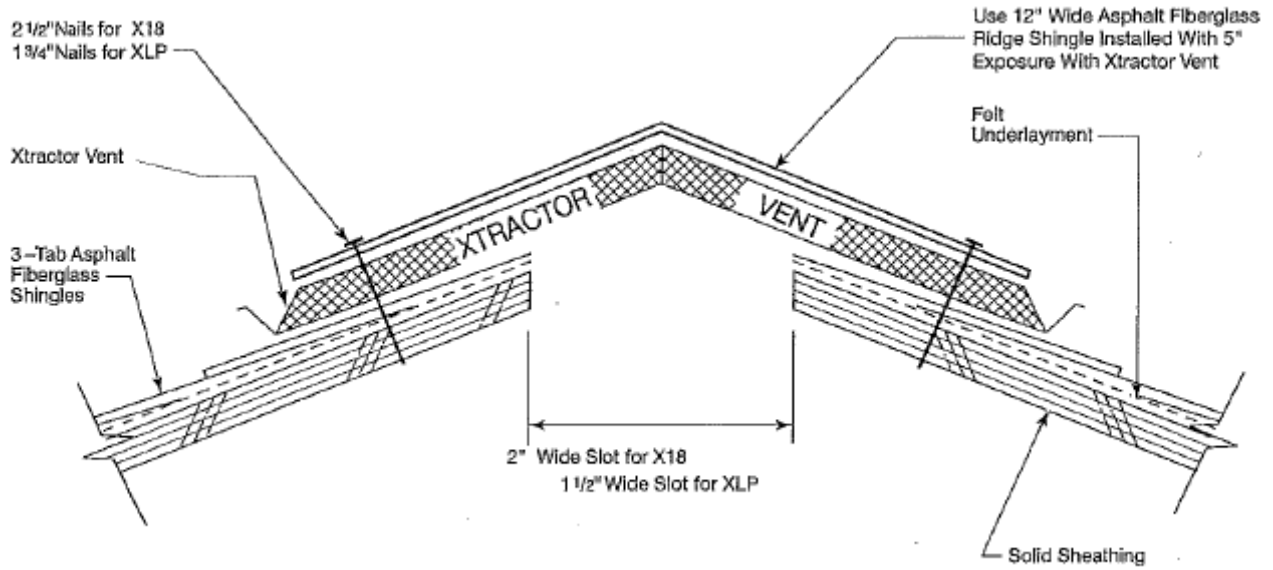
MIAMI-DADE COUNTY
APPROVED

MIAMI-DADE COUNTY
APPROVED

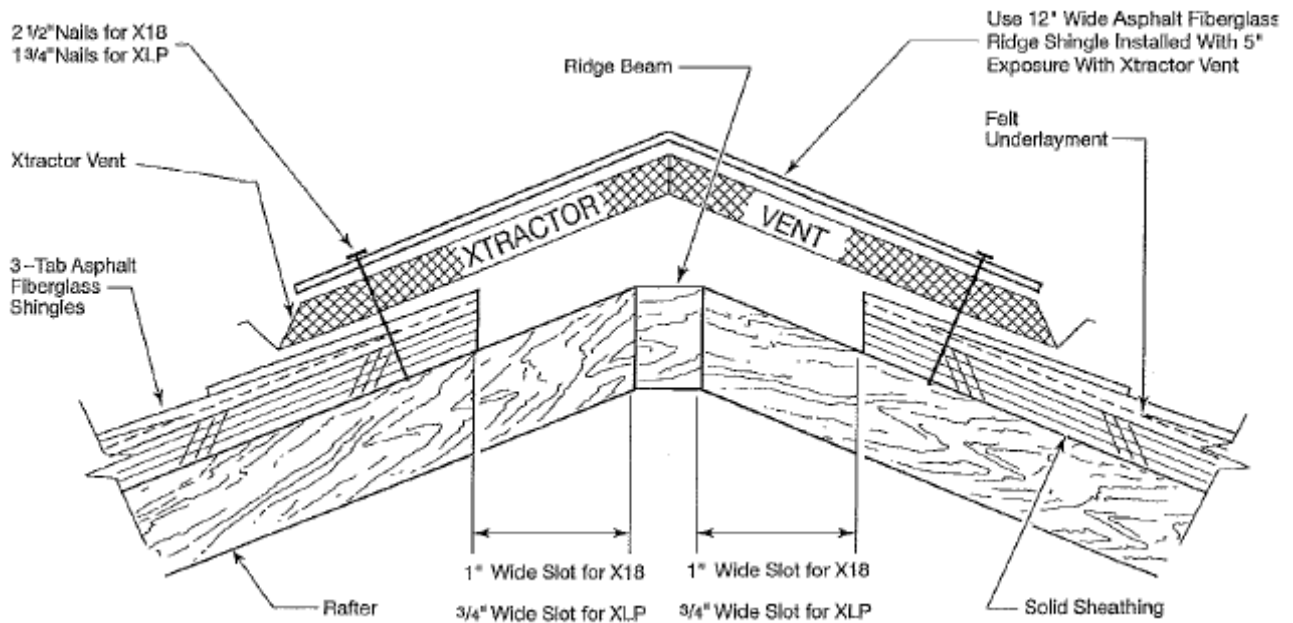
NOA No: 21-0629.11
Expiration Date: 08/04/26
Approval Date: 08/05/21
Page 5 of 7

DETAIL A

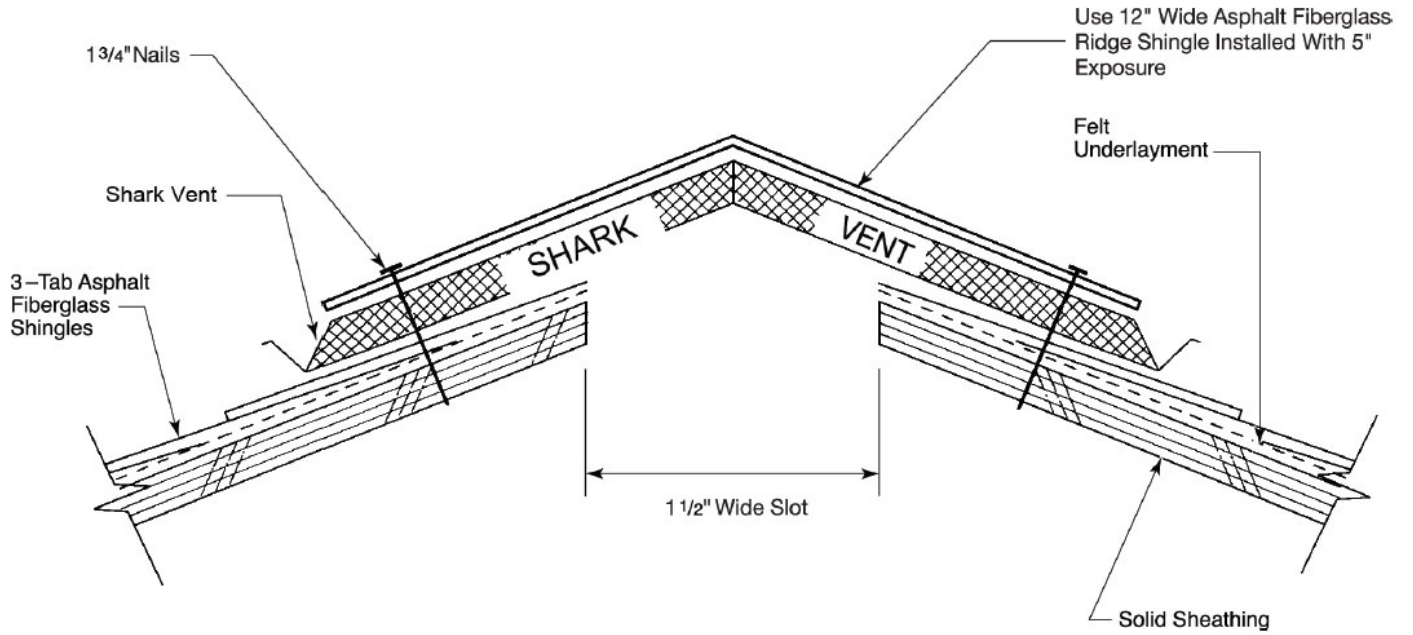
X18 and XLP Xtractor Vent Installation



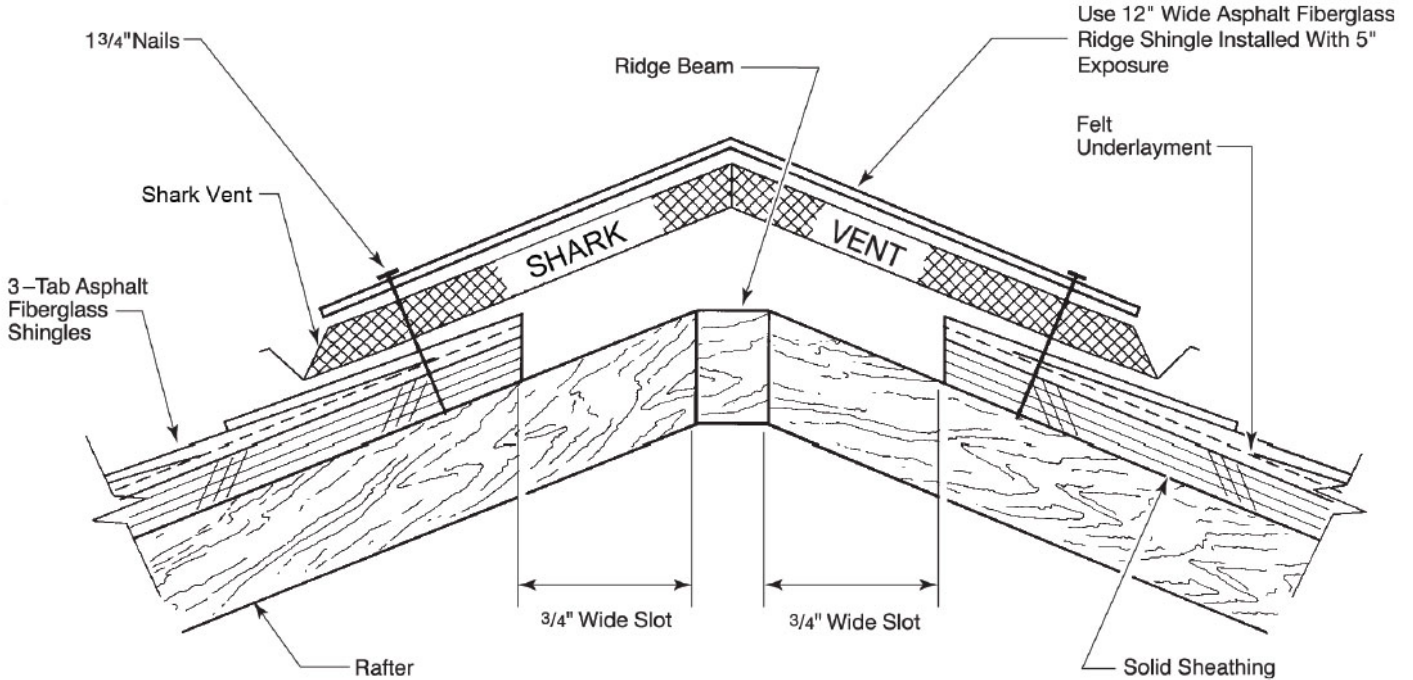
X18 and XLP Xtractor Vent Ridge Beam Installation



Shark Vent XLP Installation



Shark Vent XLP Ridge Beam Installation



END OF THIS ACCEPTANCE



NOA No: 21-0629.11
Expiration Date: 08/04/26
Approval Date: 08/05/21
Page 7 of 7