

SLICKER® CLASSIC RAINSCREEN



Approved Compatible Products

CLADDING

- Fiber Cement*
- Wood (Including shingles & shakes)
- Vinyl and Insulated Vinyl
- Manufactured Stone
- Stucco
- Metal

FASTENERS

- Staples

STARTER/EDGE VENT

- Benjamin Obdyke Batten UV

Note:

Slicker Classic is compatible with all water resistive barriers. We recommend a premium, tri-laminate, non-woven housewrap such as FlatWrap HP. Regardless of which WRB you choose, follow manufacturer's instructions for compatible accessories.

In order to achieve a system warranty, the following components must also be used in conjunction with Slicker Classic:

- HydroFlash® GP Self-Adhered Flashing
- FlatWrap® HP Commercial Grade WRB

Optional:

- HydroCorner® Sill Treatment
- Batten UV
- HydroFlash® GP 2.5 in Seam Tape

***Slicker MAX is the preferred product for this application.**

Nail Selection Guide

Wood Siding

All nails are required to meet the following conditions:

- Siding or box nail
- Blunt-tipped to reduce splitting
- Ring or spiral-threaded shanks to provide increased holding power
- Stainless steel, hot-dipped galvanized, or aluminum for corrosion resistance
- Minimum 1¹/₄ inch penetration into studs

NOTE: To prevent bleeding and corrosive staining, use only stainless steel nails in the following situations: no stain on siding, clear or semi-transparent stain on siding, or an application that is subject to seacoast exposure.

Pneumatic nail guns can be used if collated nails meet prior recommendations and the air pressure and depth gauge is set so that nail is driven snug with the surface.

DO NOT OVERDRIVE NAILS

For further information, consult the Western Red Cedar Lumber Association (WRCLA) or Western Wood Products Association (WWPA).

Wood Shingles/Shakes

All nails are required to meet the following conditions:

- Siding or box nail
- Blunt-tipped to reduce splitting
- Ring or spiral-threaded shanks to provide increased holding power
- Stainless steel, hot-dipped, zinc coated or aluminum for corrosion resistance
- Minimum 1/2 inch to 3/4 inch penetration into sheathing

NOTE: To prevent bleeding and corrosive staining, use only stainless steel nails in the following situations: no stain on shingles/shakes, clear or semi-transparent stain on shingles/shakes, or an application that is subject to seacoast exposure.

Pneumatic nail guns can be used if collated nails meet prior recommendations and the air pressure and depth gauge is set so that nail is driven snug with the surface.

DO NOT OVERDRIVE NAILS

For further information, consult the Cedar Shake and Shingle Bureau (CSSB).

Fiber Cement Plank & Panel

All nails are required to meet the following conditions:

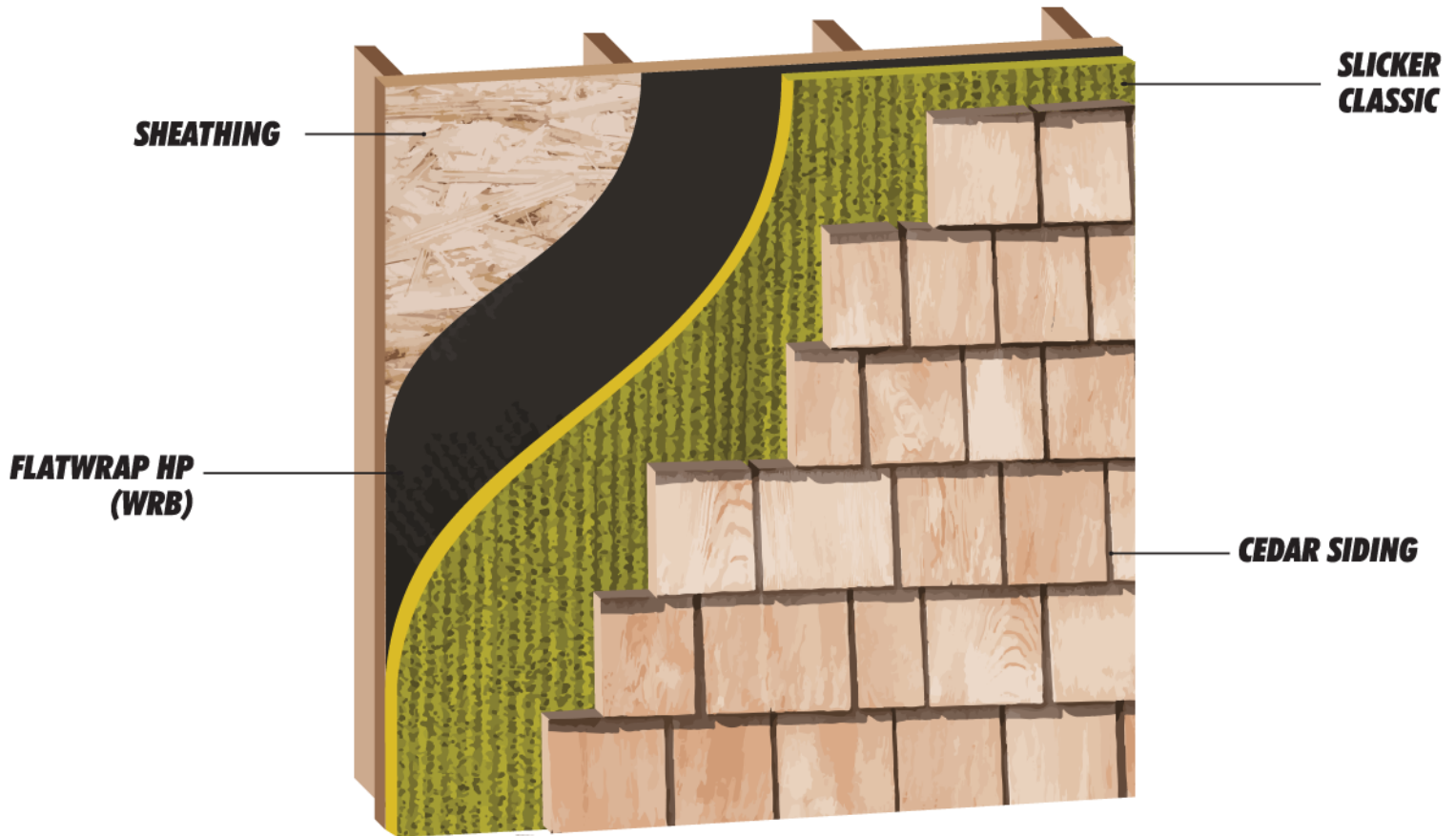
- Siding or box nail
- Hot-dipped galvanized or stainless steel for corrosion resistance
- Minimum 1¹/₄ inch penetration into studs

NOTE: The use of a siding or roofing nail may not be applicable to all installations where greater windloads or wind resistance is required by the local building code. Defer to the applicable Building Code Compliance Report or fiber cement siding manufacturer for more information.

Pneumatic nail guns can be used if collated nails meet prior recommendations and the air pressure and depth gauge is set so that nail is driven snug with the surface.

DO NOT OVERDRIVE NAILS

General Installation



Step 1:

Install sidewall material over studs and apply a water resistive barrier (e.g. FlatWrap HP) per manufacturer's instructions. Install Slicker Classic after windows are properly installed and flashed. Refer to window installation details on flashing integration. Refer to Bottom Detail to deter insect infiltration.

Step 2:

Roll out Slicker Classic wherever siding or cladding will be applied with channels running vertically. Do not stretch Slicker Classic - it should lie flat against the wall. Nail or staple (min. 1/2 in staple) every 3 square feet. (For stucco or stone applications, please refer to installation instructions for Slicker MAX.)

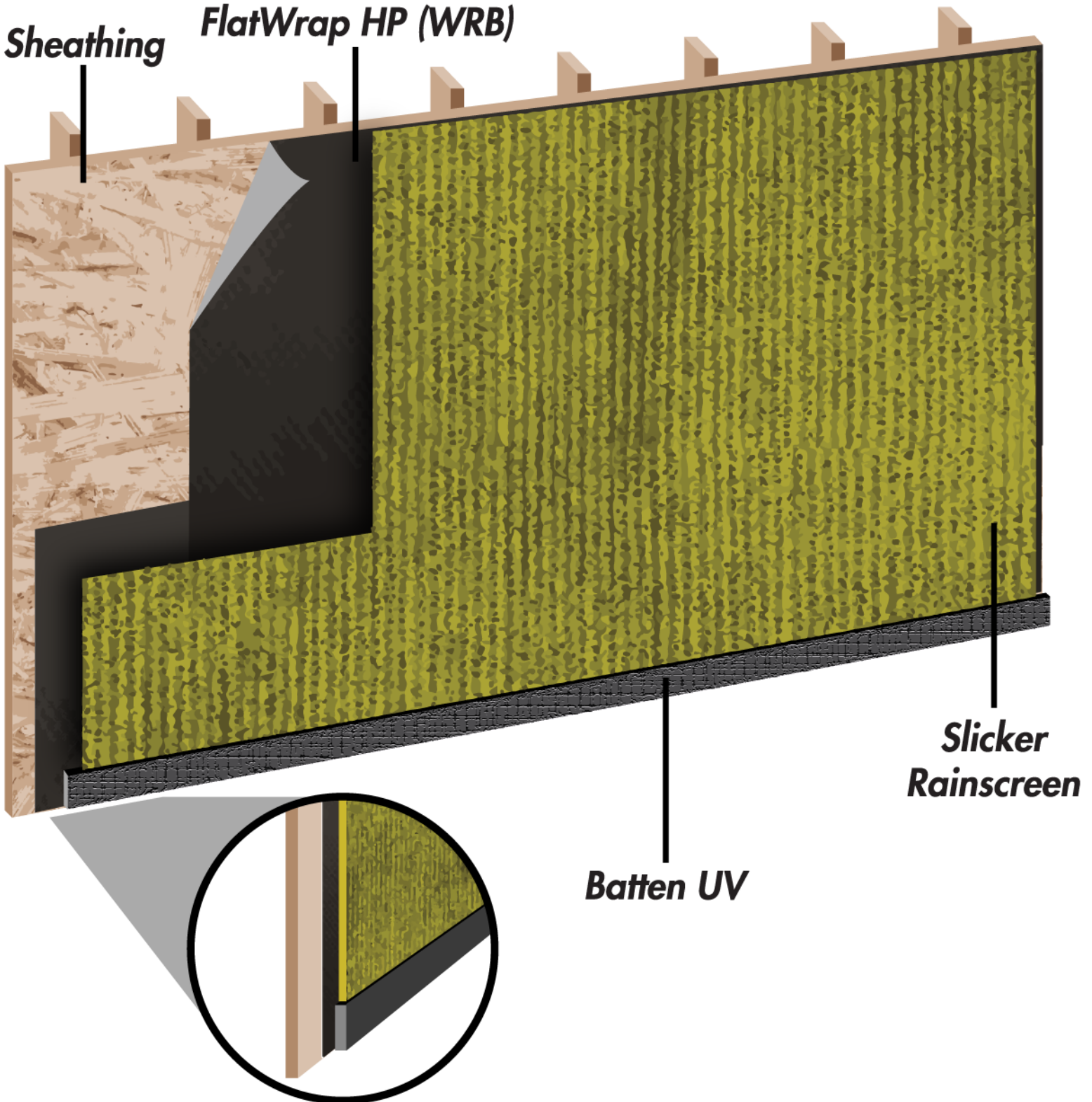
Step 3:

Butt edges of new rolls or new courses together - Do not overlap layers of Slicker Classic. Cover entire wall surface wherever siding materials will be installed

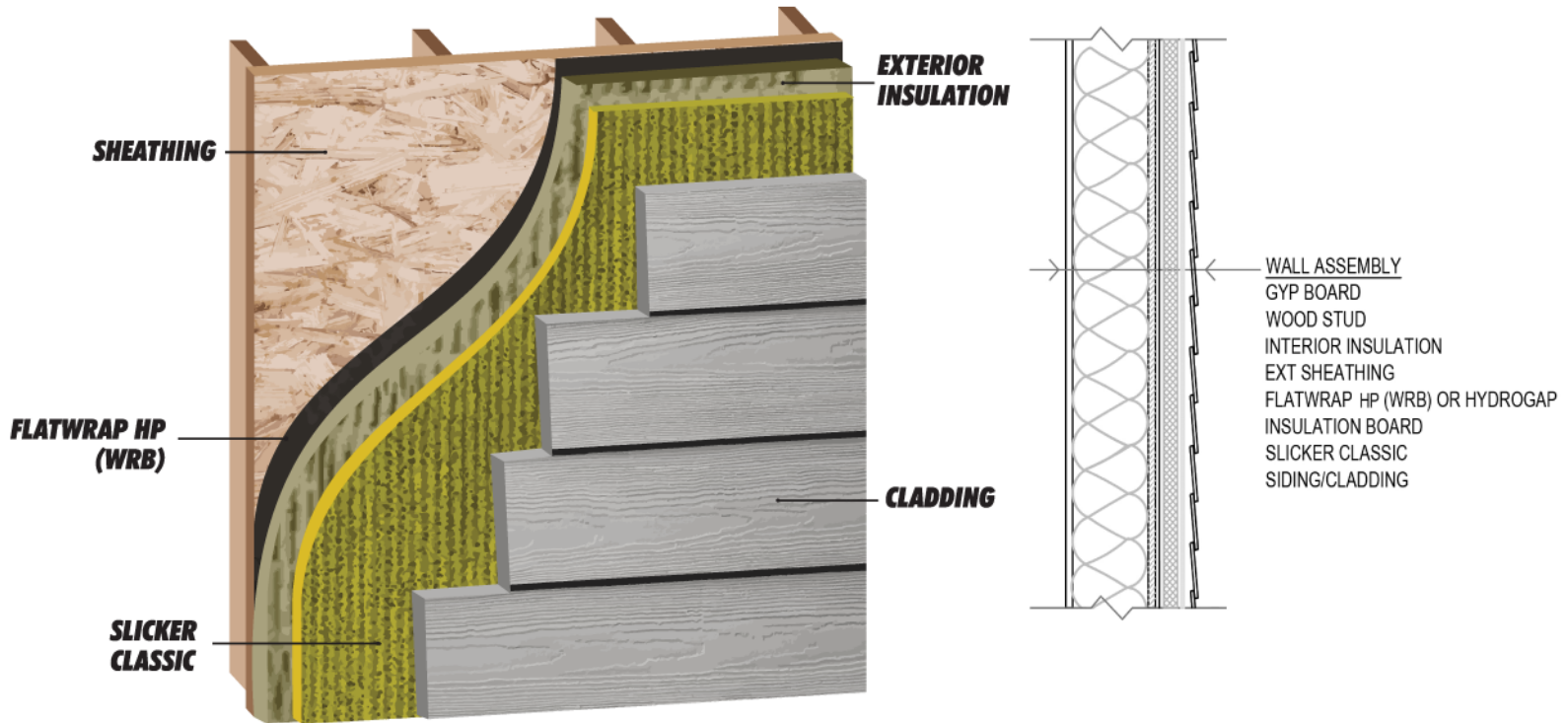
Step 4:

Install siding or cladding system over wall surface per manufacturer's installation instructions, within 30 days of Slicker Classic application. For additional UV resistance, consider using Slicker MAX for exposure up to 90 days. Allow for thickness of Slicker Classic (6 mm or 10 mm) in nail selection. **DO NOT OVERNAIL.**

Batten UV Detail: Batten UV as Starter Strip for Slicker Rainscreen



Installation with Insulation Board



Step 1:

Install sidewall material over studs and apply a water resistive barrier (e.g. FlatWrap HP) per manufacturer's instructions. Install Slicker Classic after windows are properly installed and flashed. Refer to window installation details on flashing integration.

Step 2:

Roll out Slicker Classic (over the insulation board) wherever siding or cladding will be applied with channels running vertically. Do not stretch Slicker Classic - it should lie flat against the wall. Fasten Slicker Classic every 3 square feet with fasteners of sufficient length to penetrate the wall sheathing by at least 1/2 inch to ensure optimal attachment of product. (For stucco or stone applications, please refer to installation instructions for Slicker MAX)

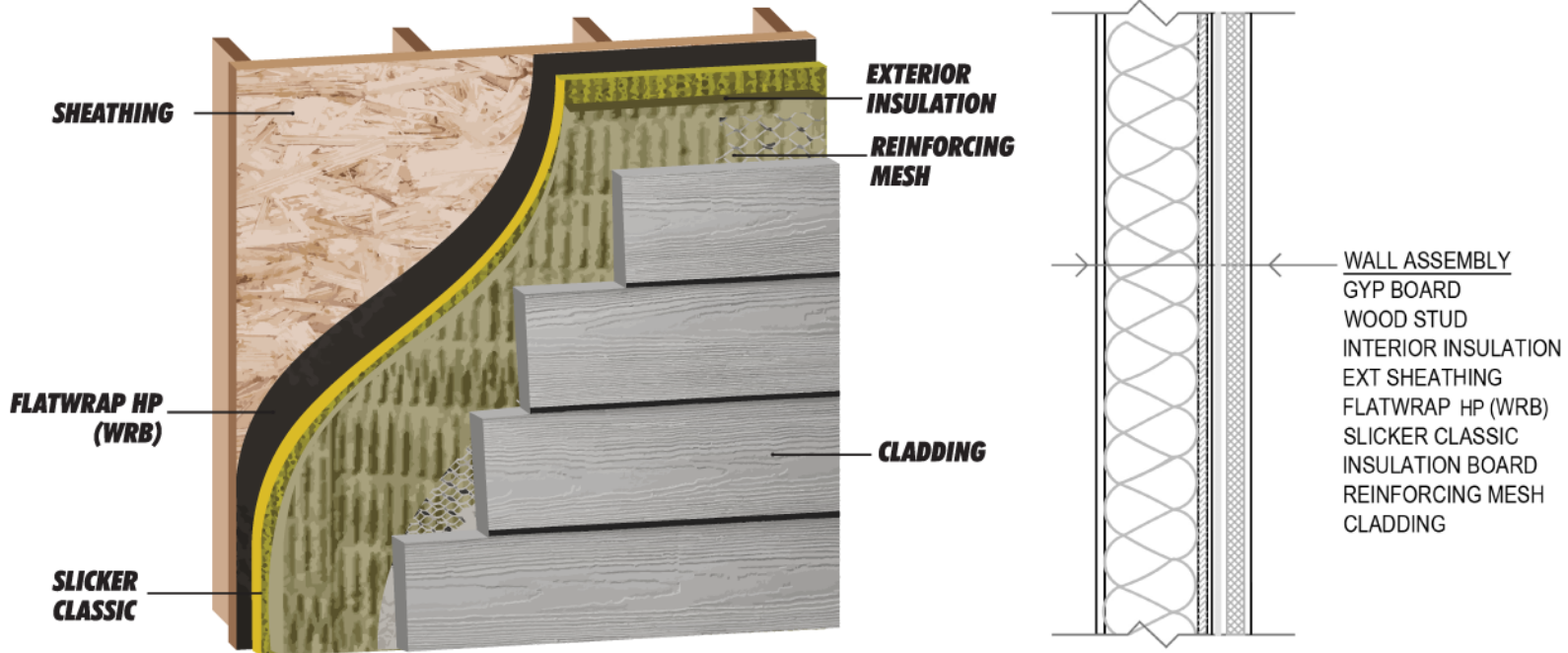
Step 3:

Butt edges of new rolls or new courses together - Do not overlap layers of Slicker Classic. Cover entire wall surface wherever siding materials will be installed.

Step 4:

Install siding or cladding system over wall surface per manufacturer's installation instructions, within 30 days of Slicker Classic application. For additional UV resistance, consider using Slicker MAX for exposure up to 90 days. Allow for thickness of Slicker Classic (6 mm or 10 mm) in nail selection. **DO NOT OVERNAIL.**

Installation with EIFS



Step 1:

Install sidewall material over studs and apply a water resistive barrier (e.g. FlatWrap HP) per manufacturer's instructions. Install Slicker Classic after windows are properly installed and flashed. Refer to window installation details on flashing integration.

Step 2:

Roll out Slicker Classic wherever cladding will be applied with channels running vertically. Do not stretch Slicker Classic - it should lie flat against the wall. Nail or staple (min. 1/2 inch staple) every 3 square feet.

Step 3:

Butt edges of new rolls or new courses together - Do not overlap layers of Slicker Classic. Cover entire wall surface wherever siding materials will be installed.

Step 4:

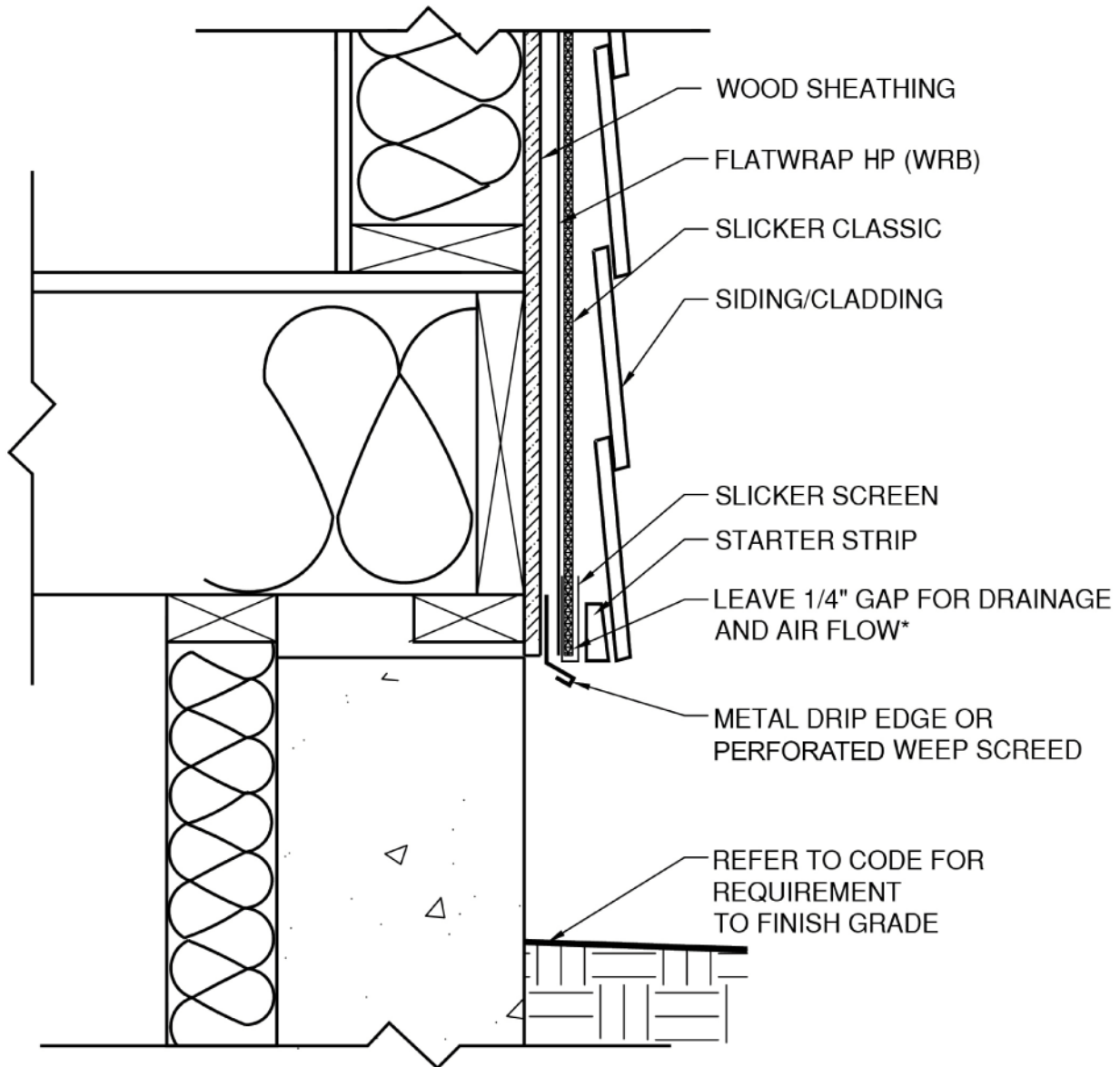
Install insulation board over Slicker Classic per manufacturer's installation instructions. Allow for thickness of Slicker Classic (and insulation board) in nail selection.

Step 5:

Install lath and cladding system over wall surface (over Slicker Classic and insulation board) per manufacturer's installation instructions. Allow for thickness of Slicker Classic (and insulation board) in nail selection.

DO NOT OVERNAIL.

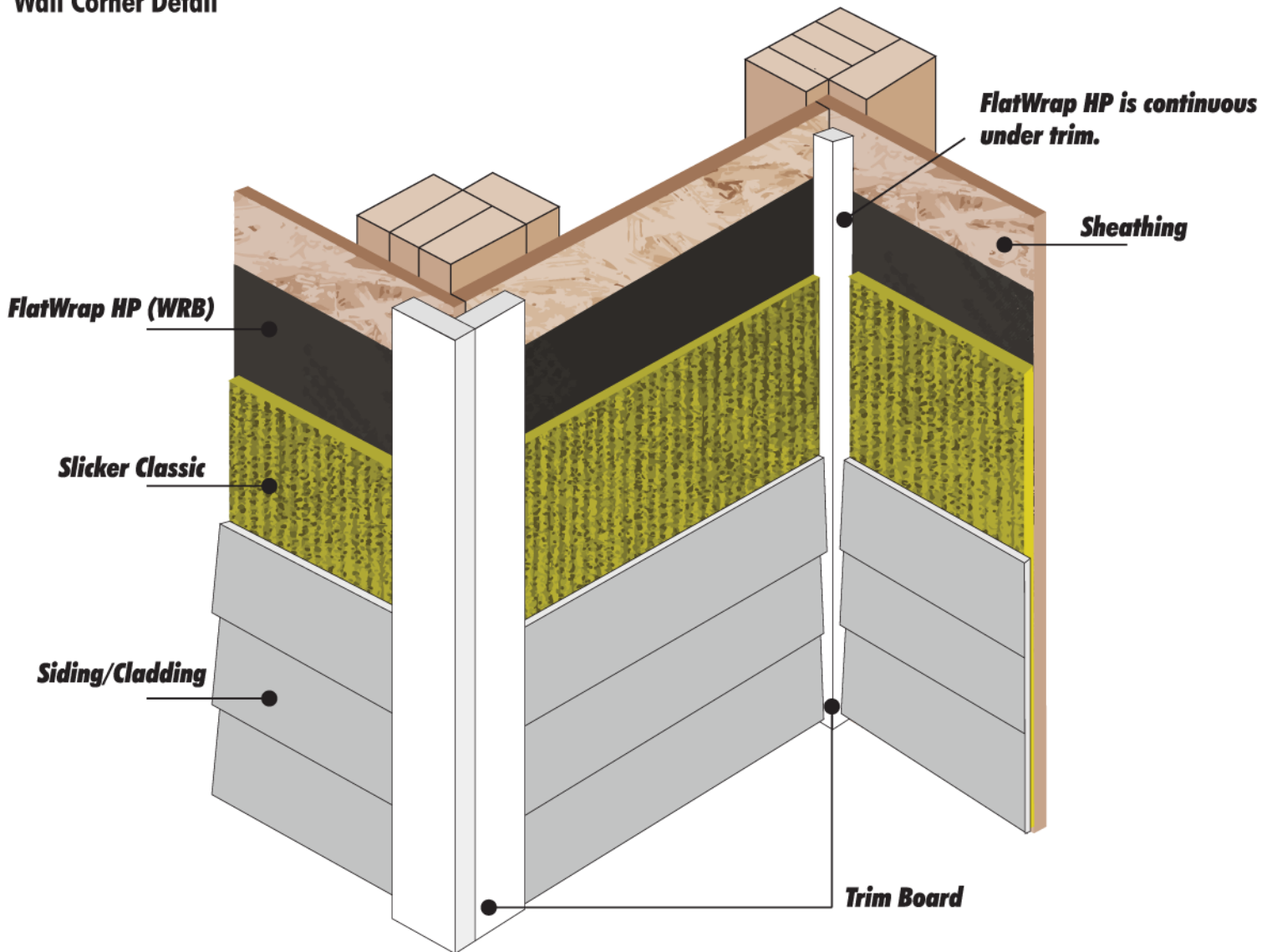
Bottom of Wall Detail



To prevent insect infiltration along bottom edge of siding, attach Slicker Screen or a 6 inch wide window screen material (1/8 inch max. hole size) along the wall 3 inches above bottom edge of Slicker Classic. Fold up onto outer surface of installed Slicker Classic and fasten with a large head nail to hold in place prior to applying siding or cladding.

NOTE: Leave 1/4 inch gap at the bottom opening for Slicker Classic or 10 mm gap for Slicker 10 Classic.

Wall Corner Detail



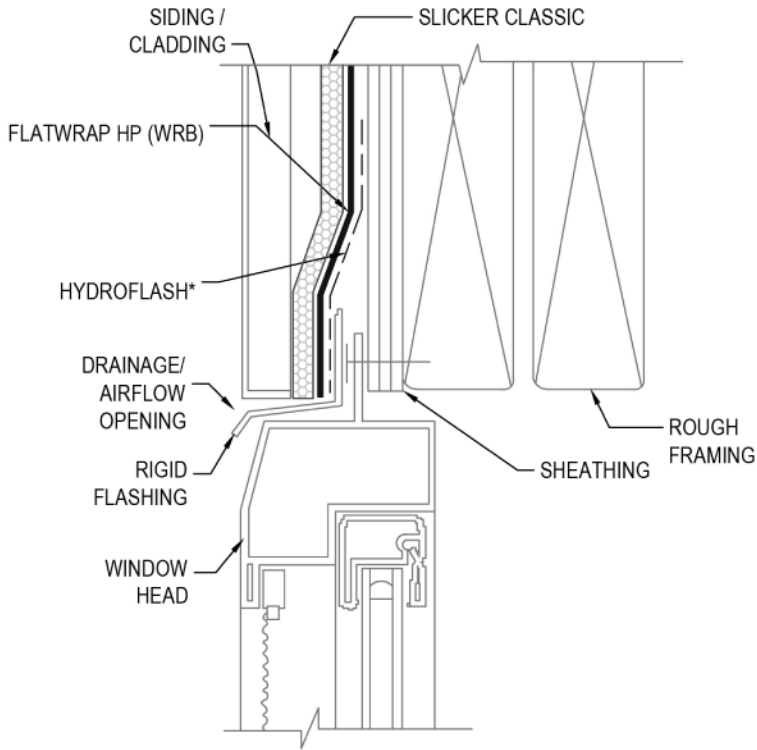
Apply trim boards to outside and inside corners or shim smaller trim boards out to account for Slicker Classic thickness. Install Slicker Classic up to trim board and butt edge of Slicker Classic against trim board. This gives the added benefit of “compartmentalizing” each wall section, which will assist in pressure moderation to reduce potential for water intrusion.

Optionally, Slicker Classic may be installed under trim boards as well.

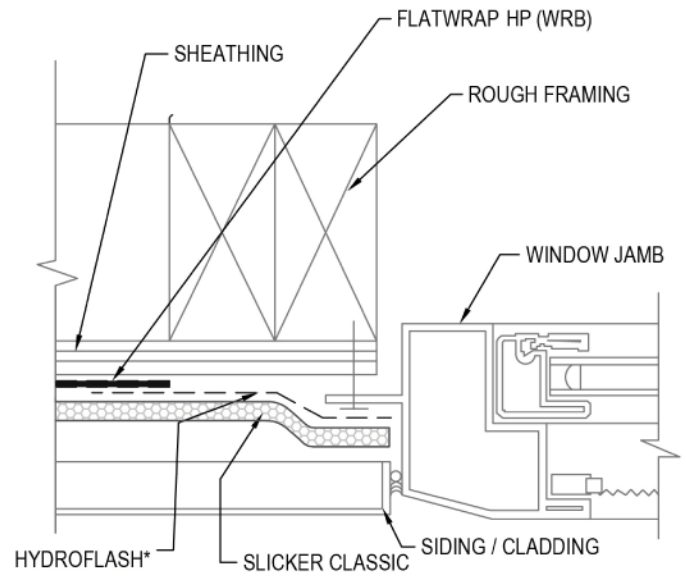
NOTE:

1. Trimboard installation to be completed in accordance with manufacturer’s specifications.
2. Prior to Slicker Classic installation, install sidewall sheathing material over wall studs and apply FlatWrap HP Housewrap (or WRB) per manufacturer’s instructions.

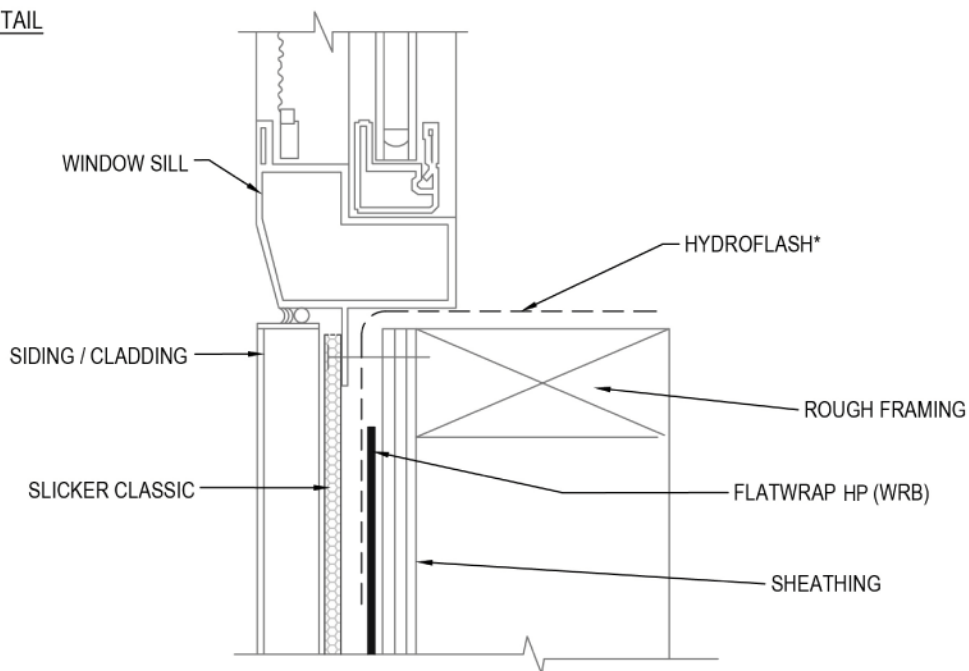
Window Detail: Flanged Window with WRB installed Before the Window



HEAD DETAIL

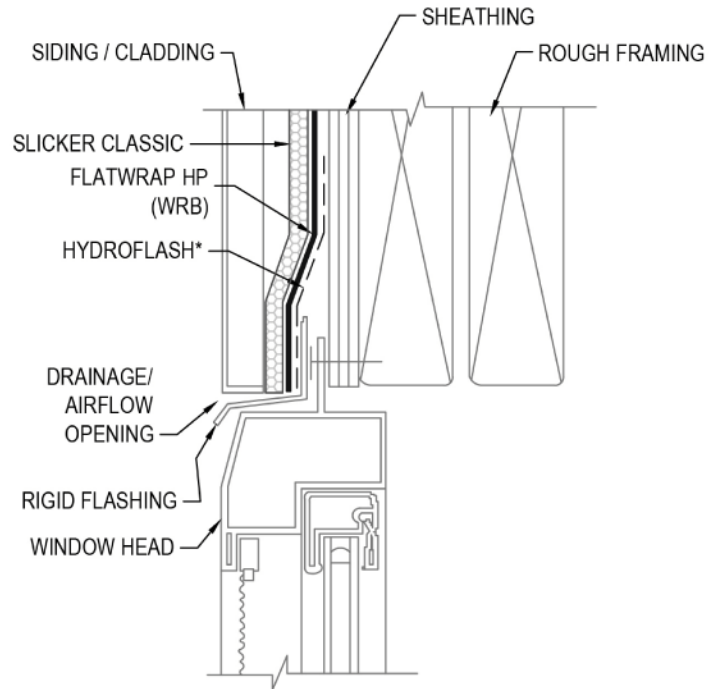
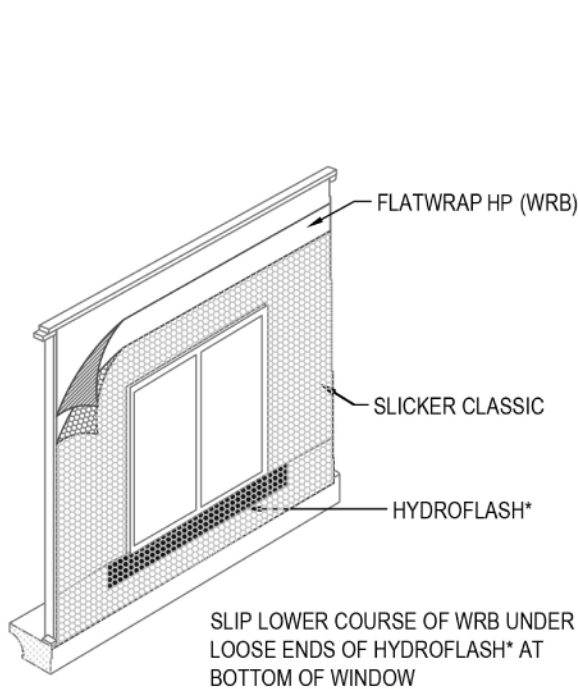


JAMB DETAIL

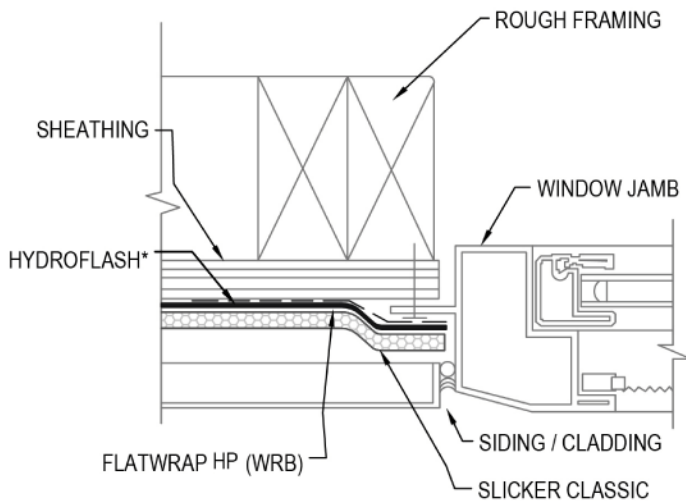


SILL DETAIL

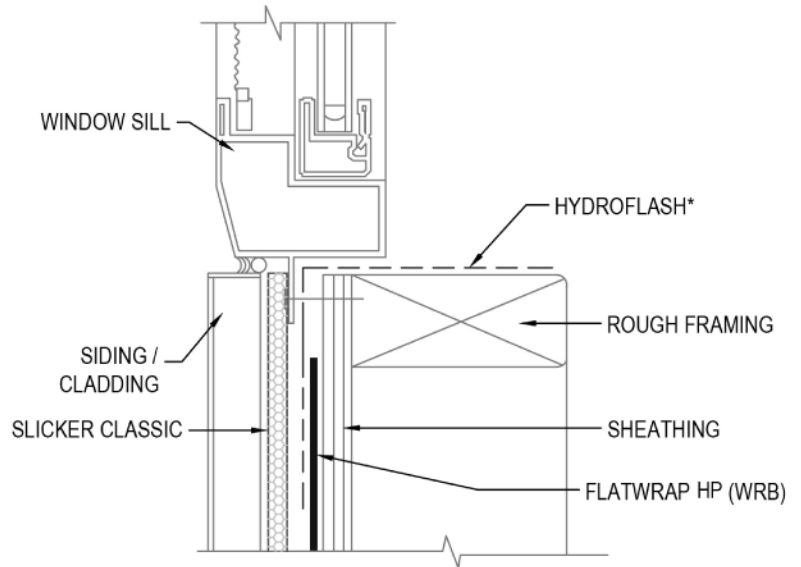
Window Detail: Flanged Window with WRB installed After the Window



HEAD DETAIL



JAMB DETAIL



SILL DETAIL