

## SLICKER® MAX RAINSCREEN





## Approved Compatible Products

### CLADDING

Fiber Cement  
Wood (including Shingles & Shakes)  
Vinyl and Insulated Vinyl  
Manufactured Stone  
Stucco  
Metal

### FASTENERS

Staples (minimum 1/2 in.)

### STARTER/EDGE VENT

Benjamin Obdyke Batten UV

### NOTE:

Slicker MAX is compatible with all water resistive barriers. We recommend a premium, tri-laminate, non-woven housewrap such as FlatWrap HP. Regardless of which WRB you choose, follow manufacturer's instructions for compatible accessories.

In order to achieve a system warranty, the following components must also be used in conjunction with Slicker MAX:

HydroFlash® GP Self-Adhered Flashing  
FlatWrap® HP Commercial Grade WRB  
(Attached with cap fasteners)

Optional:  
HydroCorner® Sill Treatment  
HydroFlash® GP Seam Tape  
Batten UV

## Nail Selection Guide

### Wood Siding

All nails are required to meet the following conditions:

- Siding or box nail
- Blunt-tipped to reduce splitting
- Ring or spiral-threaded shanks to provide increased holding power
- Stainless steel, hot-dipped galvanized, or aluminum for corrosion resistance
- Minimum 1<sup>1</sup>/<sub>4</sub> inch penetration into studs

**NOTE:** To prevent bleeding and corrosive staining, use only stainless steel nails in the following situations: no stain on siding, clear or semi-transparent stain on siding, or an application that is subject to seacoast exposure.

Pneumatic nail guns can be used if collated nails meet prior recommendations and the air pressure and depth gauge is set so that nail is driven snug with the surface.

**DO NOT OVERDRIVE NAILS**

For further information, consult the Western Red Cedar Lumber Association (WRCLA) or Western Wood Products Association (WWPA).

### Wood Shingles/Shakes

All nails are required to meet the following conditions:

- Siding or box nail
- Blunt-tipped to reduce splitting
- Ring or spiral-threaded shanks to provide increased holding power
- Stainless steel, hot-dipped, zinc coated or aluminum for corrosion resistance
- Minimum 1/2 inch to 3/4 inch penetration into sheathing

**NOTE:** To prevent bleeding and corrosive staining, use only stainless steel nails in the following situations: no stain on shingles/shakes, clear or semi-transparent stain on shingles/shakes, or an application that is subject to seacoast exposure.

Pneumatic nail guns can be used if collated nails meet prior recommendations and the air pressure and depth gauge is set so that nail is driven snug with the surface.

**DO NOT OVERDRIVE NAILS**

For further information, consult the Cedar Shake and Shingle Bureau (CSSB).

### Fiber Cement Plank & Panel

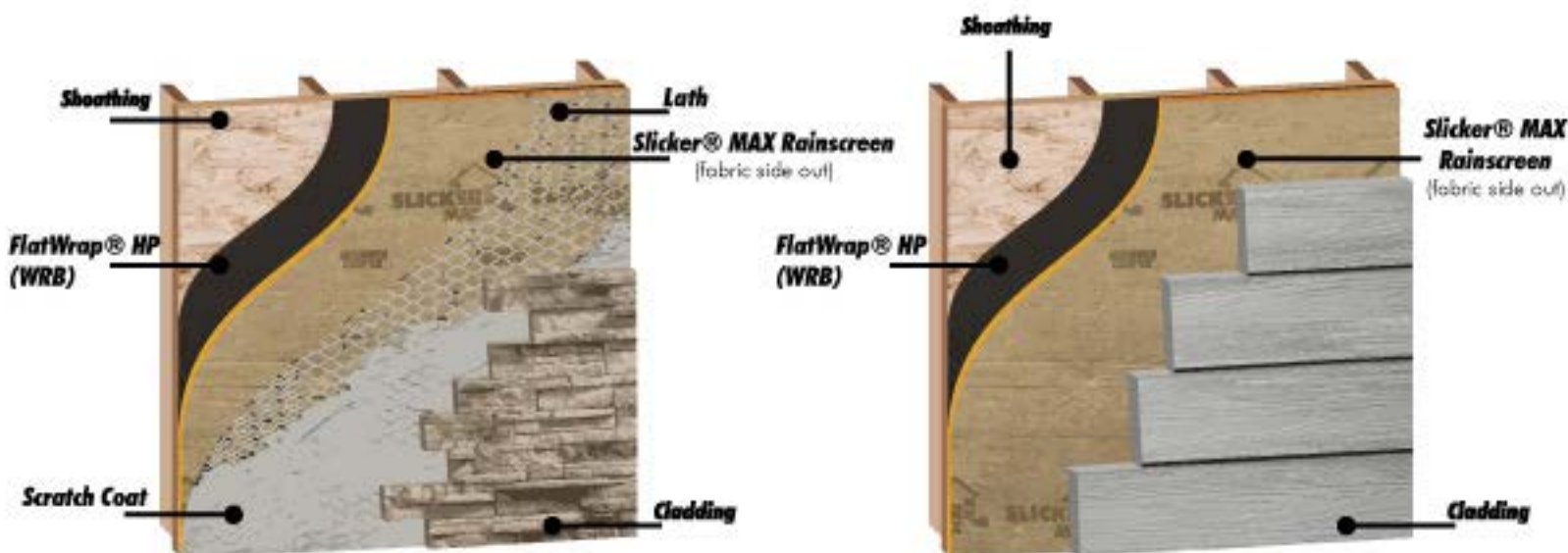
All nails are required to meet the following conditions:

- Siding or box nail
- Hot-dipped galvanized or stainless steel for corrosion resistance
- Minimum 1<sup>1</sup>/<sub>4</sub> inch penetration into studs

**NOTE:** The use of a siding or roofing nail may not be applicable to all installations where greater windloads or wind resistance is required by the local building code. Defer to the applicable Building Code Compliance Report or fiber cement siding manufacturer for more information.

Pneumatic nail guns can be used if collated nails meet prior recommendations and the air pressure and depth gauge is set so that nail is driven snug with the surface.

**DO NOT OVERDRIVE NAILS**

**General Installation**

**Step 1:**  
Install sidewall sheathing material over studs. Apply a water resistive barrier (e.g. FlatWrap HP) over wall sheathing.\*

**Step 2:**  
Install Slicker MAX after windows are properly installed and flashed. Refer to window installation for details on flashing integration. Start at the base of the wall and roll out Slicker MAX from left to right with the fabric side against the cladding. On the bottom course only, fold the flap around the matrix and tuck it against the WRB (e.g. FlatWrap HP) to prevent insects from entering the channels. Nail or staple (min. 1/2 inch staple) every 3 square feet.\*

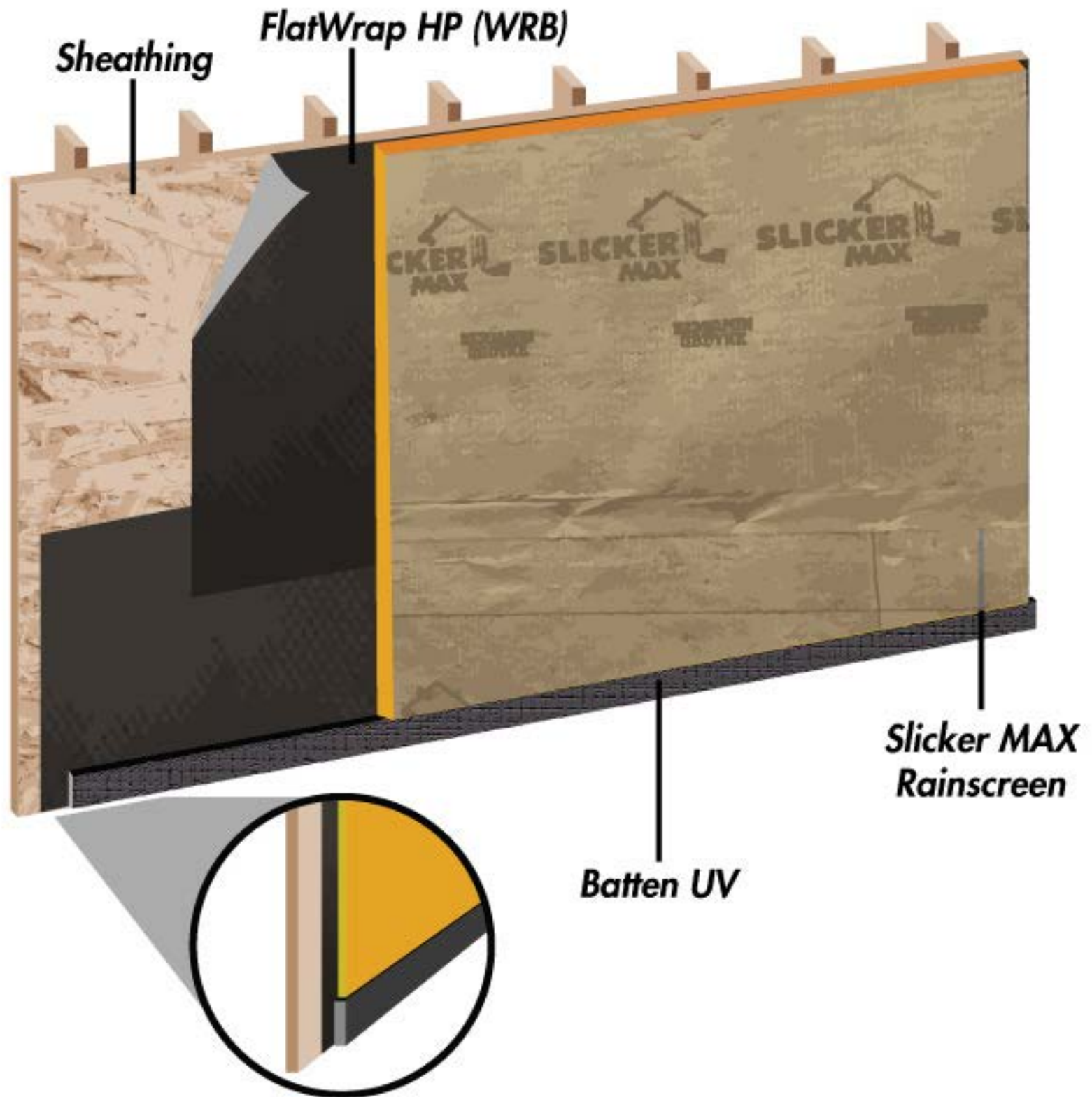
**Step 3:**  
Unroll the next course in the same manner as the previous course. Butt the edges of the new rolls together without overlapping. Pull the flap over the previous course (shingle style) and staple.

**Step 4:**  
Apply lath and cladding over Slicker MAX per manufacturer's installation instructions. Allow for thickness of Slicker MAX in fastener selection.\*

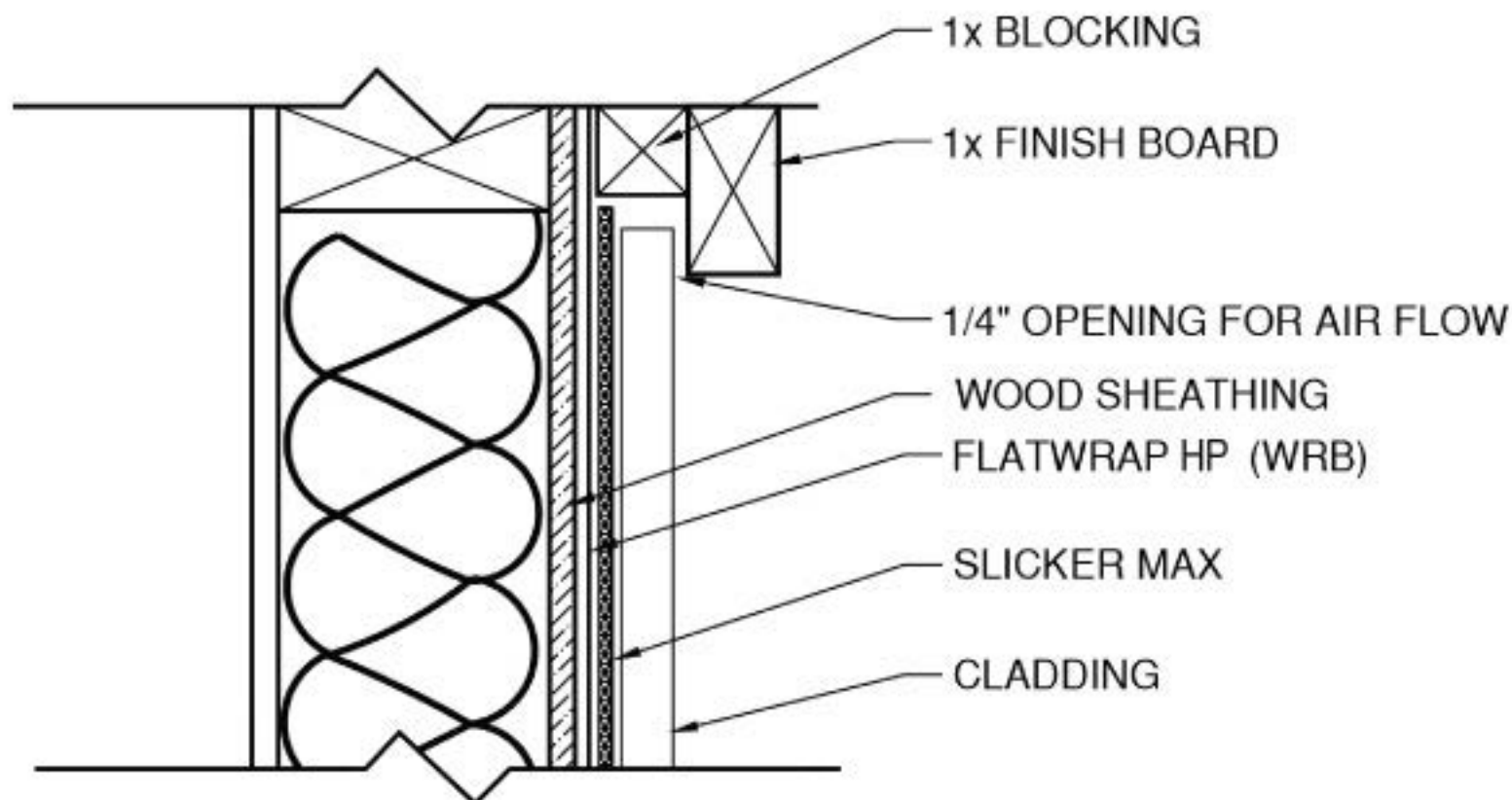
**\*General Notes:**

1. Some regions may require two layers of WRB (e.g. FlatWrap HP) for stone or stucco applications. Refer to local codes for more information.
2. All fasteners must be approved corrosion-resistant fasteners (stainless-steel, hot-dipped zinc-coated, aluminum, etc.) Refer to local codes for more information.
3. Lath fasteners must provide sufficient penetration into wood framing (min. 1 inch) metal framing/panels (min. 3/8 inch), or masonry walls/panels. Refer to manufacturer's install instructions.

Batten UV Detail: Batten UV as Starter Strip for Slicker MAX Rainscreen



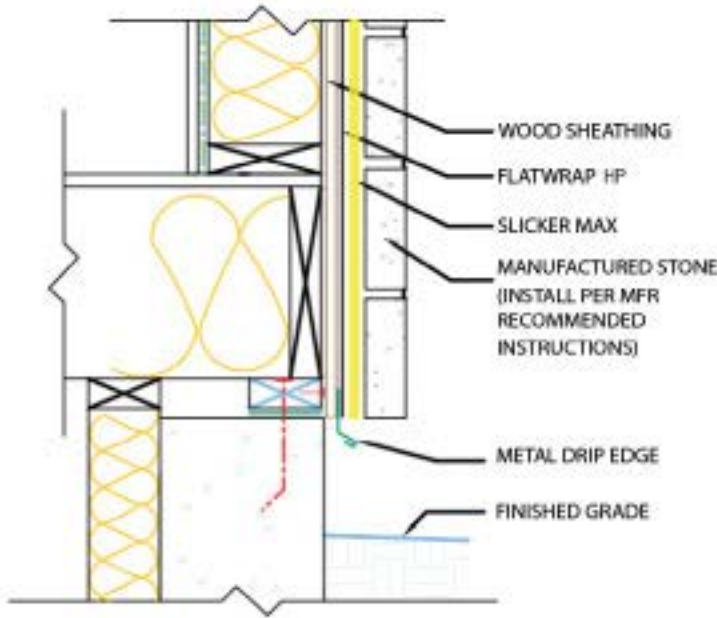
**Top of Wall Detail**



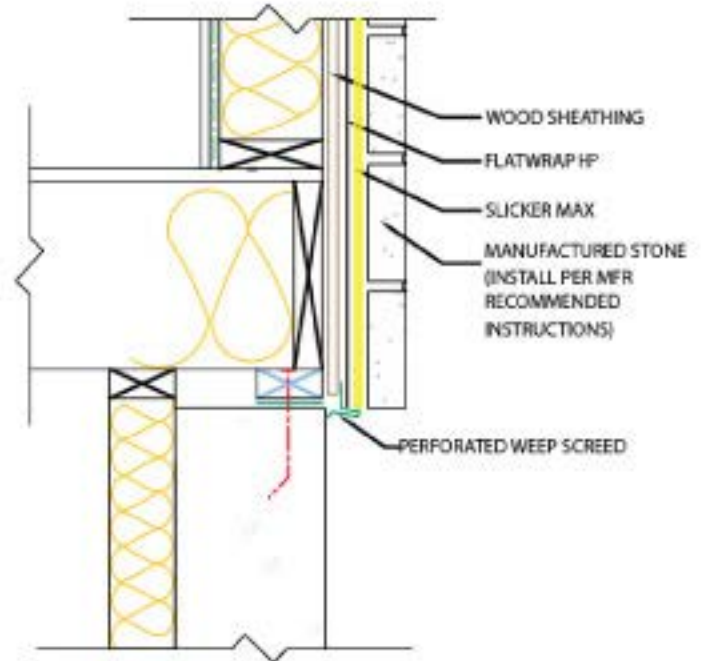
Run Slicker MAX to within 3 inches of soffit overhang, install 1 inch x 3 inch board (as detailed in drawing) in the space between the top of Slicker MAX and bottom of soffit. Install cladding to within 4 inches of soffit overhang. Install a 1 inch x 6 inch finish trim board over the 1 inch x 3 inch board. This will allow for air movement, which will provide convective drying and ventilation behind the cladding.

**Note:** Leave a minimum of 1/4 inch gap at top opening for Slicker MAX or 10mm for Slicker 10 MAX. Top detail not required. Recommended to maximize airflow, but not a requirement.

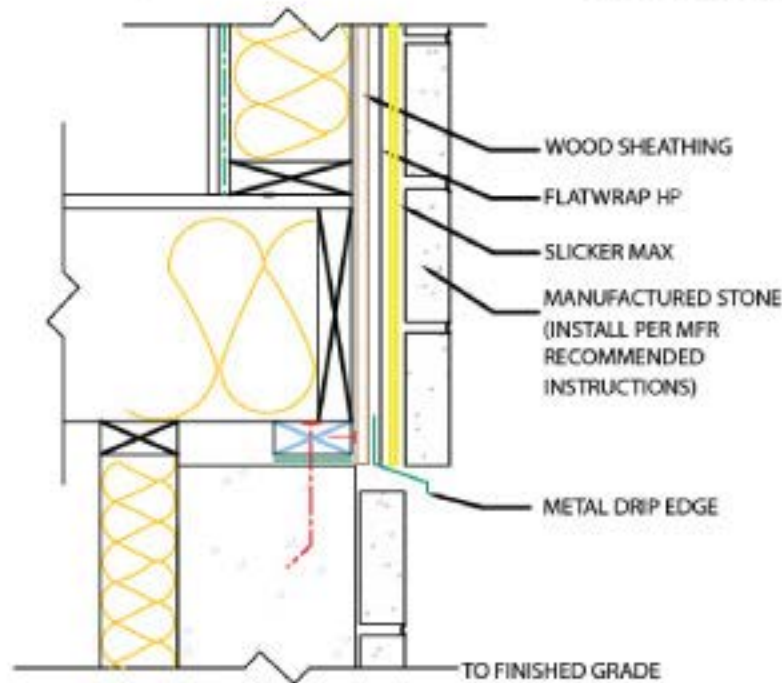
Bottom of Wall Detail



**A** BASE OF WALL DETAIL  
RESIDENTIAL WOOD SHEATH STRUCTURE  
SLS-21-05



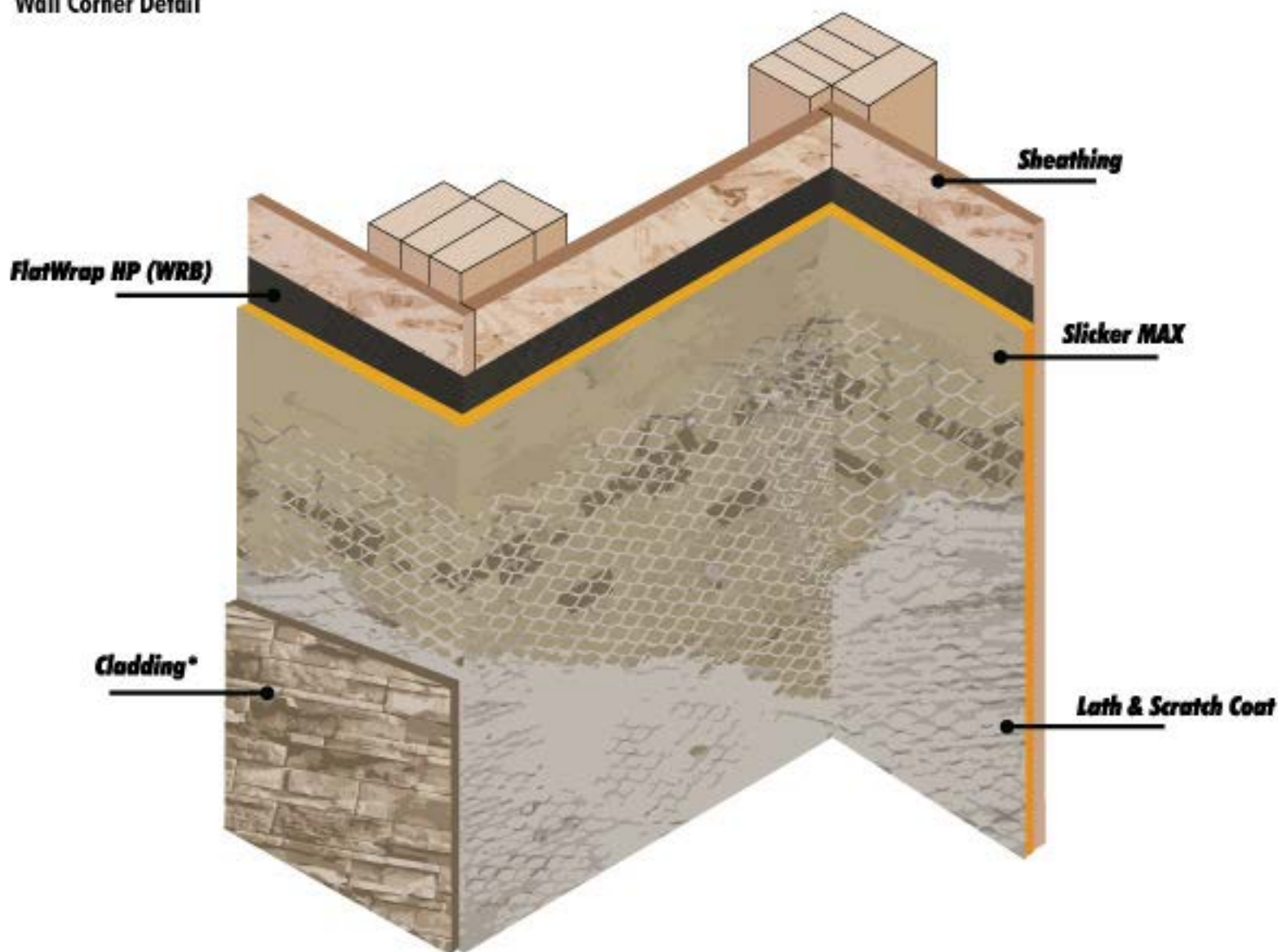
**B** BASE OF WALL DETAIL - WEEP SCREED  
RESIDENTIAL WOOD SHEATH STRUCTURE



**C** BASE OF WALL DETAIL - CMU BLOCK  
ABOVE GRADE - STONE CONTINUOUS  
RESIDENTIAL WOOD SHEATH STRUCTURE  
SLS-21-05



**Wall Corner Detail**



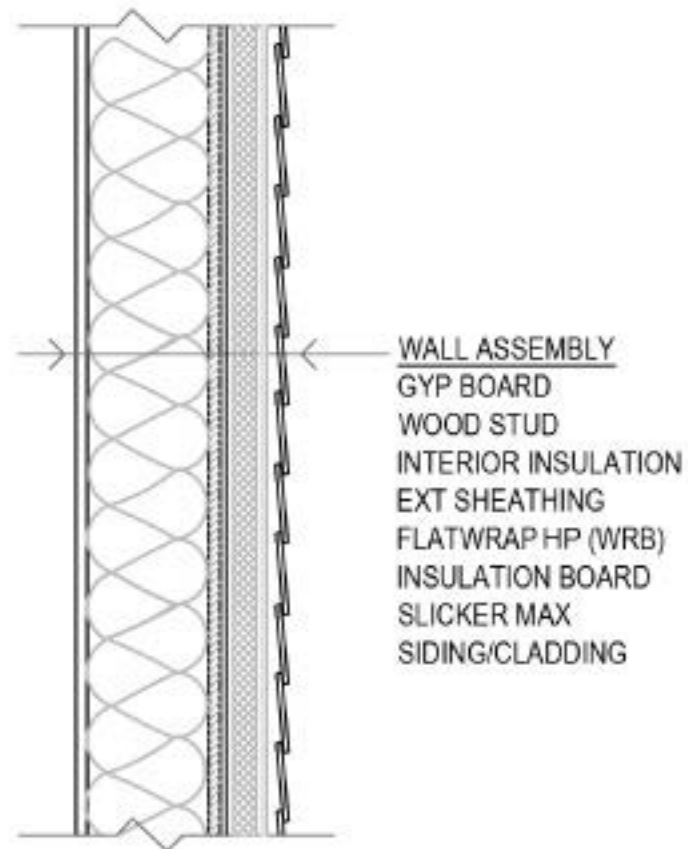
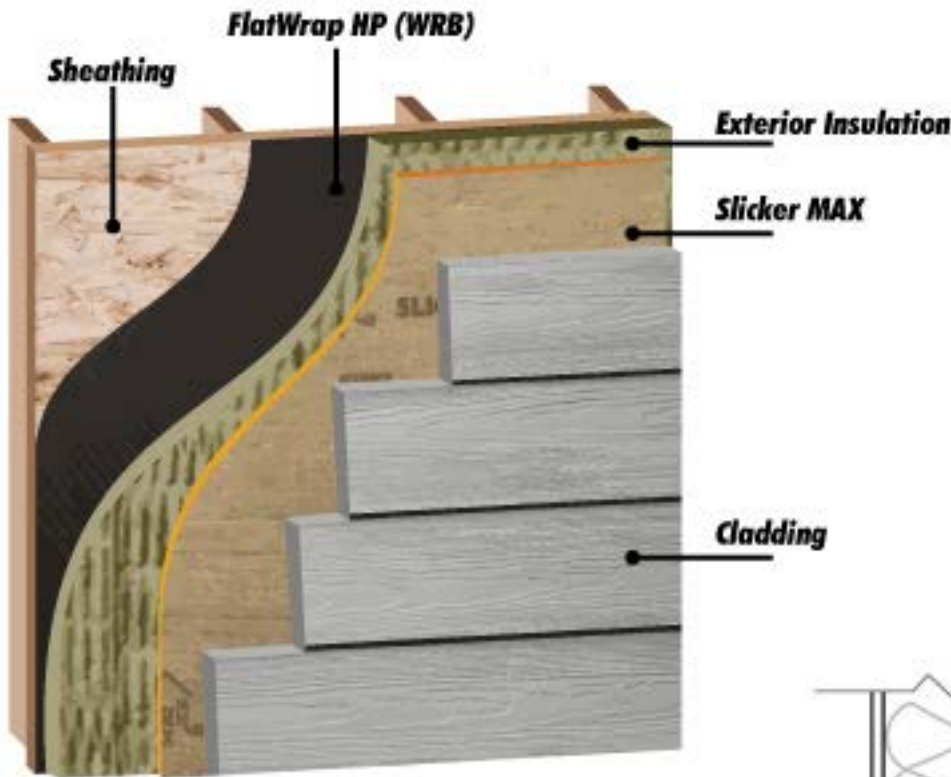
\*Apply Slicker MAX around inside and outside corners when installing with manufactured stone and stucco corner materials

Alternatively, Slicker MAX may also be installed with corner trim boards. With this installation, either apply trim boards directly to the outside and inside corners, accounting for Slicker MAX's thickness of 1/4 inch, or apply Slicker MAX around the outside and inside corners and apply trim boards directly on top of Slicker MAX.

**Notes:**

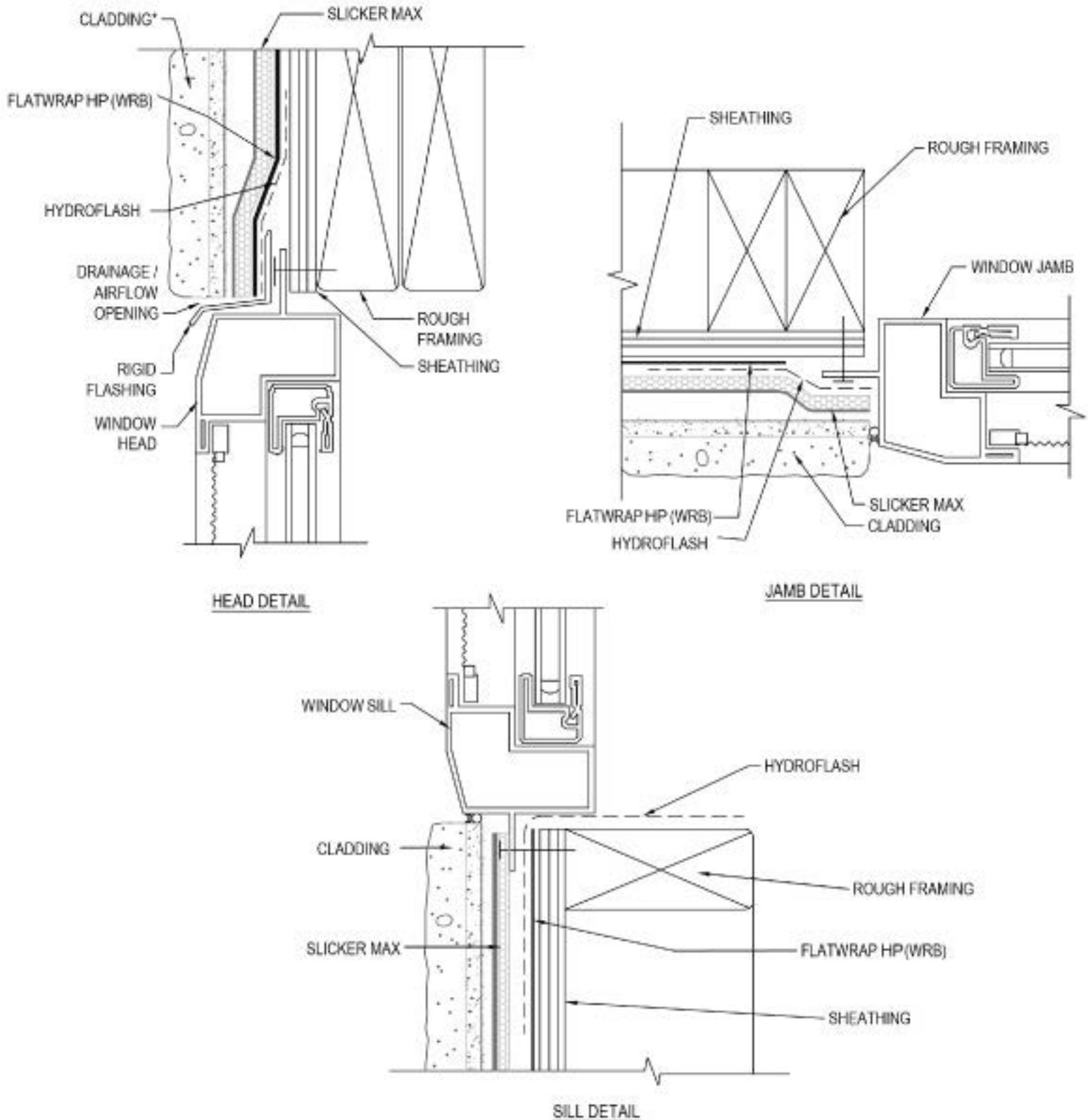
1. Installation of cladding to be completed in accordance with manufacturer's specifications.
2. Prior to the Slicker MAX installation, install sidewall sheathing material over wall studs and apply Flat-Wrap HP housewrap (WRB) per manufacturer's instructions; some regions may require two layers of WRB for stone or stucco applications. Refer to local codes for more information.

**Insulation Board Installation**

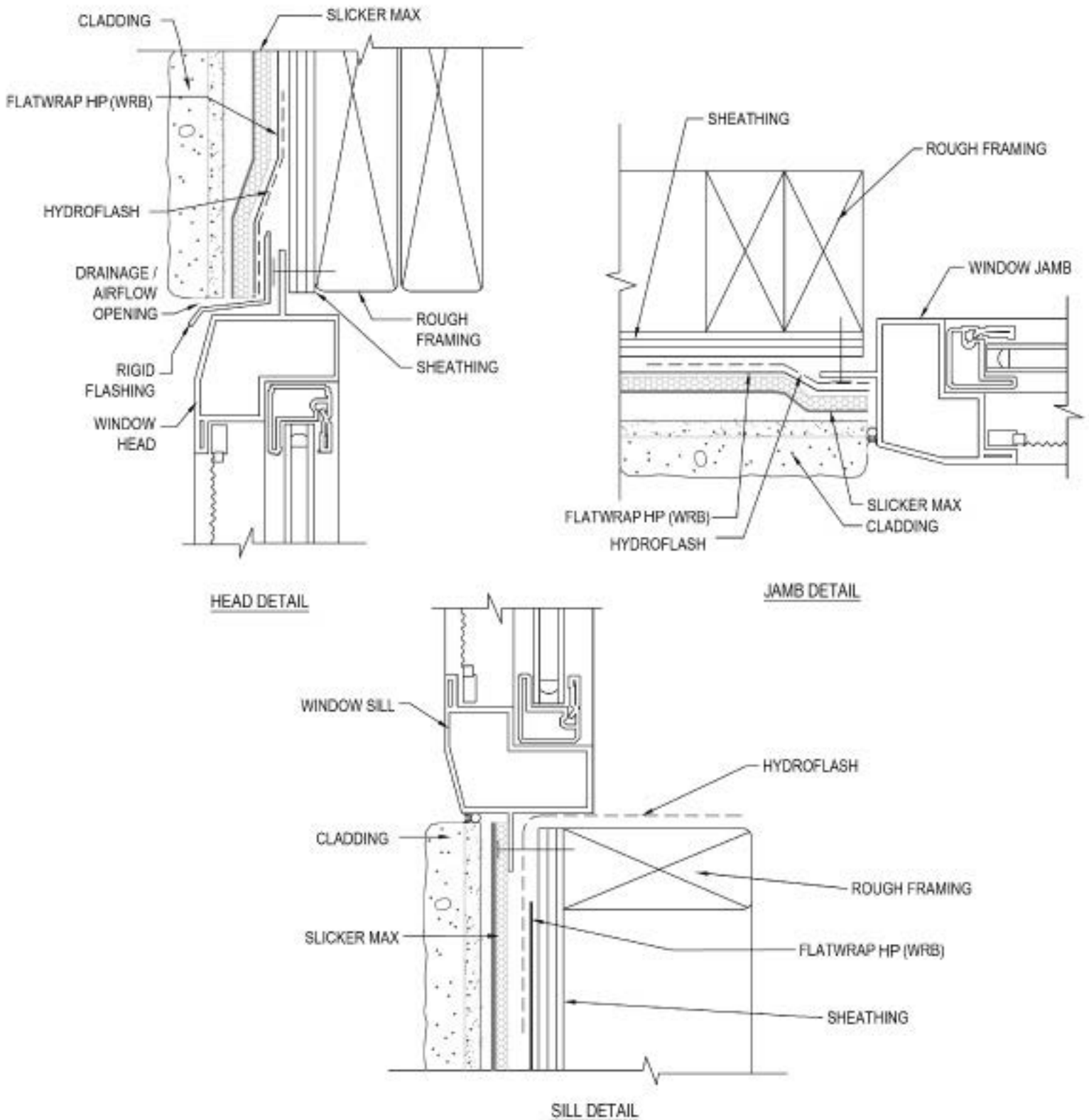


WALL SECTION

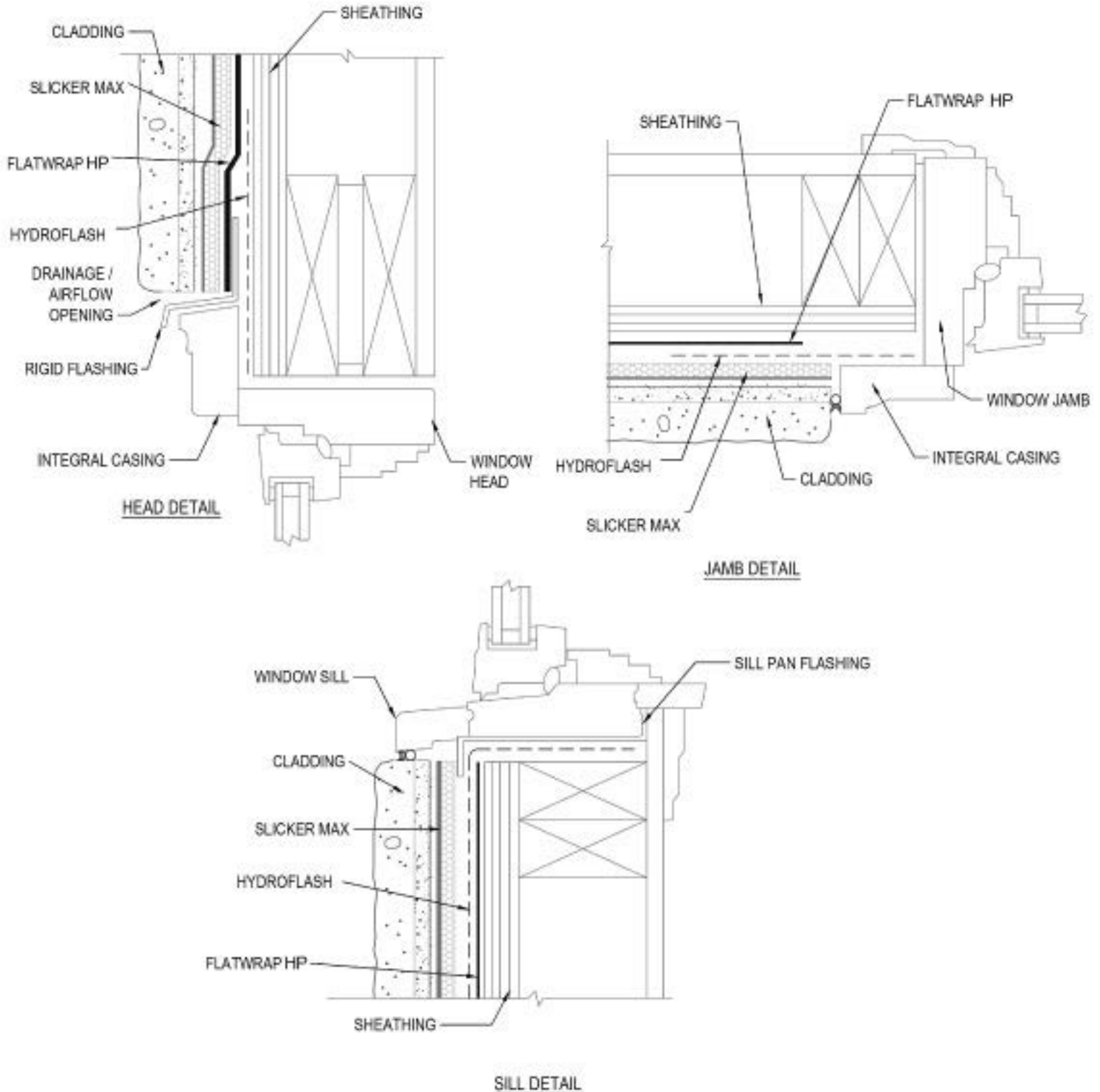
**Window Detail: Flanged Window with WRB Installed Before the Window**



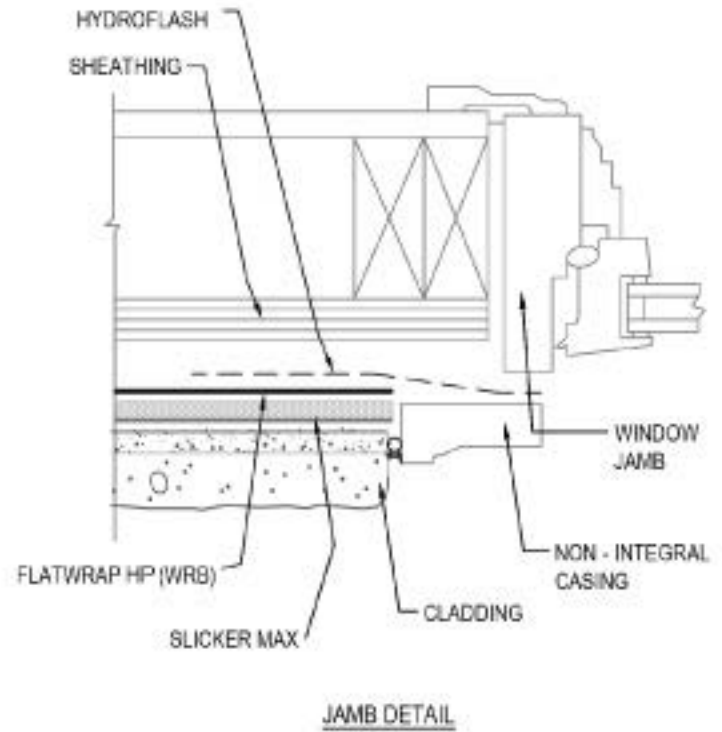
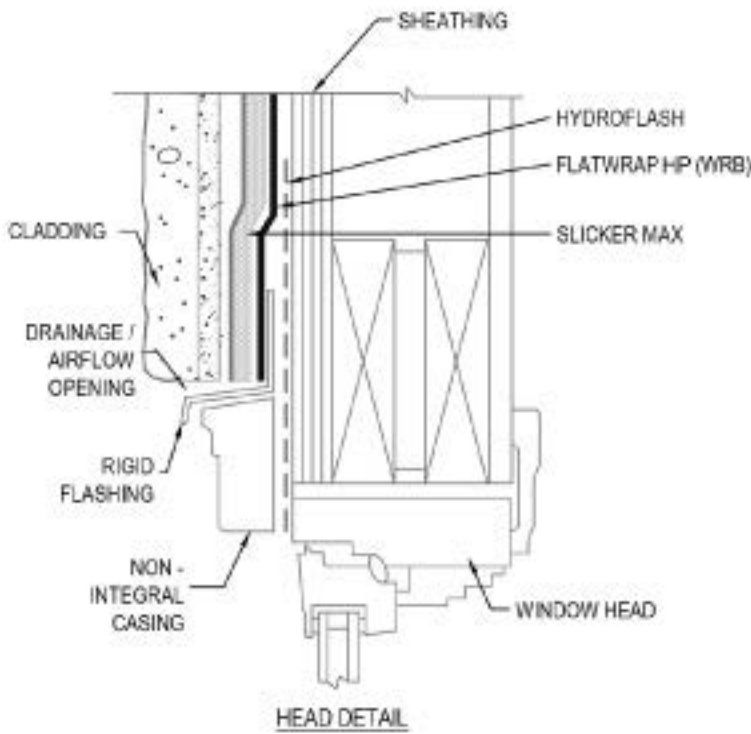
**Window Detail: Flanged Window with WRB Installed After the Window**



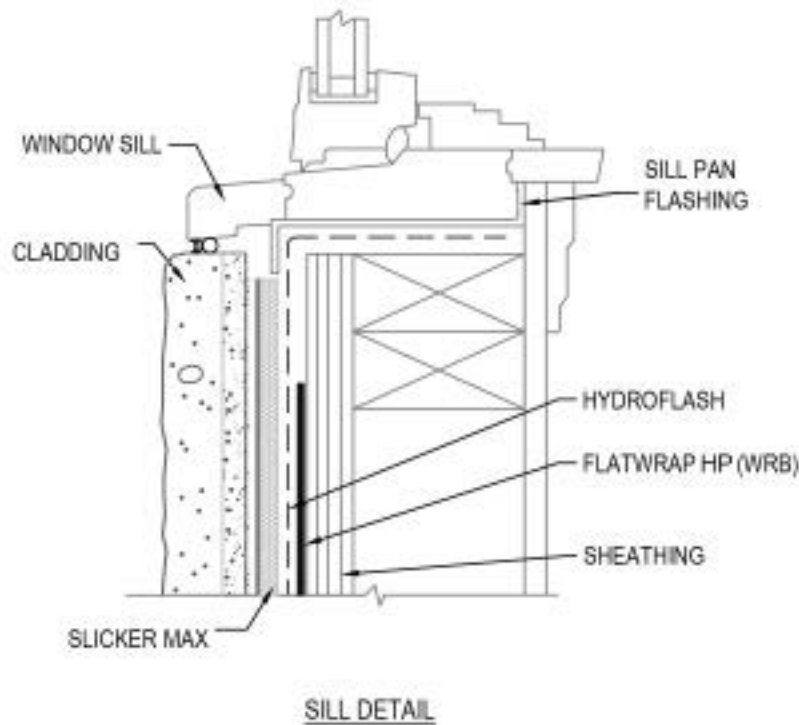
**Window Detail: Non-Flanged Window with WRB Installed Before the Window**



**Window Detail: Non-Flanged Window with WRB Installed After the Window**



NOTE: INSTALL SLICKER MAX  
ON TOP OF HYDROFLASH



Transition Detail from HydroGap to Slicker MAX

