

SLICKER® HP RAINSCREEN

	Page
List of Approved Compatible Products	2
Nail Selection Guide	3
General Installation	4
Top of Wall Detail	5
Bottom of Wall Detail	6
Wall Corner Detail	7
Flanged Window with WRB installed Before Window	8
Flanged Window with WRB Installed After Window	9
Non-Flanged Window with WRB Installed Before Window	10
Non-Flanged Window with WRB Installed After Window	11



Approved Compatible Products

CLADDING

Fiber Cement
Wood (including Shingles & Shakes)
Vinyl and Insulated Vinyl
Manufactured Stone
Stucco
Metal

FASTENERS

Staples (minimum 1/2 in)

SEAM TAPE

Benjamin Obdyke HydroFlash® 2.5in Sealing
Tape or
use 4" width self-adhered flashing from list below

SELF-ADHERED FLASHING

Benjamin Obdyke HydroFlash®
OSI® WinTeQ™ TeQ::Flash™ BUTYL Flashing
Protecto Wrap® Super Stick Building Tape™
3M™ All Weather Flashing Tape 8067
Venture Tape V785 VentureFlash
DuPont™ StraightFlash™
DuPont™ FlexWrap™ NF
JELD-WEN Self-Adhered Flashing
Pella® SmartFlash™ BUTYL Flashing
Nitto Denko No. 6922 (Double-Sided)
Fiberweb Typar® AT Flashing

SILL TREATMENT

Benjamin Obdyke HydroFlash®
Benjamin Obdyke HydroFlash® with
HydroCorner®
SureSill™
Minimum 9" width self-adhered flashing from
those listed here under "Self-Adhered Flashing"

CAULKS and SEALANTS

OSI® WinTeQ™ TeQ::Seal™ Sealant
Loctite® Premium® construction adhesive
Loctite® PL Premium® S40 polyurethane
GeoCel® 2300 Construction Tripolymer
GeoCel® Pro Flex®
Fortifiber® Moistop® Sealant
Bostik® 915™ polyurethane sealant
Bostik® 915FS™ polyurethane sealant
Dow Corning® 732 multi-purpose sealant
NPC® Solar Seal #900
Titebond® Heavy Duty construction adhesive
Titebond® WeatherMaster™
Titebond® WeatherMaster™ ULTIMATE MP
Tremco® Vulkem® 116
DAP® Flexible CLEAR Sealant

In order to achieve 25-year system warranty,
the following components must also be used in
conjunction with Slicker HP:

HydroFlash® Self-Adhered Flashing

Optional:

HydroCorner® Sill Treatment
HydroFlash® 2.5 in Seam Tape

Nail Selection Guide

Wood Siding

All nails are required to meet the following conditions:

- Siding or box nail
- Blunt-tipped to reduce splitting
- Ring or spiral-threaded shanks to provide increased holding power
- Stainless steel, hot-dipped galvanized, or aluminum for corrosion resistance
- Minimum 1 1/4 in penetration into studs

Note: To prevent bleeding and corrosive staining, use only stainless steel nails in the following situations: no stain on siding, clear or semi-transparent stain on siding, or an application that is subject to seacoast exposure.

Wood Shingles / Shakes

All nails are required to meet the following conditions:

- Siding or box nail
- Blunt-tipped to reduce splitting
- Ring or spiral-threaded shanks to provide increased holding power
- Hot-dipped, zinc-coated, stainless steel, or aluminum for corrosion resistance
- Penetrate into sheathing 1/2 in to 3/4 in

Note: To prevent bleeding and corrosive staining, use only stainless steel nails in the following situations: no stain on shingles / shakes, clear or semi-transparent stain on shingles / shakes, or an application that is subject to seacoast exposure.

Fiber-Cement Plank & Panel

All nails are required to meet the following conditions:

- Siding or box nail
- Hot-dipped galvanized or stainless steel for corrosion resistance
- Minimum 1 1/4 in penetration into studs

Note: The use of a siding or roofing nail may not be applicable to all installations where greater windloads or wind resistance is required by the local building code. Defer to the applicable Building Code Compliance Report or fiber-cement siding manufacturer for more information.

Pneumatic nail guns can be used if collated nails meet prior recommendations and the air pressure and depth gauge is set so that nail is driven snug with the surface. **DO NOT OVERDRIVE NAILS**

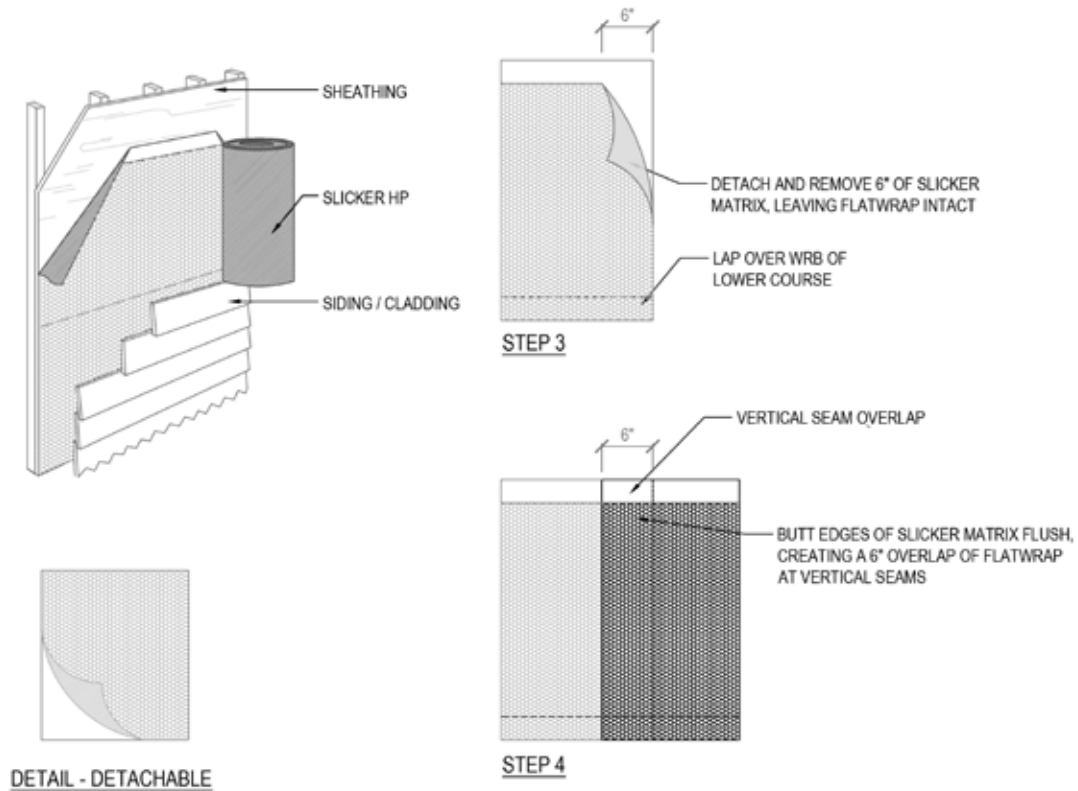
For further information, consult the Western Red Cedar Lumber Association (WRCLA) or the Western Wood Products Association (WWPA).

Pneumatic nail guns can be used if collated nails meet prior recommendations and the air pressure and depth gauge is set so that nail is driven snug with the surface. **DO NOT OVERDRIVE NAILS**

For further information, consult the Cedar Shake and Shingle Bureau (CSSB).

Pneumatic nail guns can be used if collated nails meet prior recommendations and the air pressure and depth gauge is set so that nail is driven snug with the surface. **DO NOT OVERDRIVE NAILS**

General Installation



Step 1:

Install sidewall sheathing material over studs. Slicker HP may be installed either before or after windows are installed and flashed-in. Refer to window installation details on flashing integration. Install Slicker Screen directly to the sheathing, 3 in up, allowing it to hang with an approximate 3 in flap that will be tacked into place over top of the Slicker HP once installed, and prior to cladding installation.

Step 2:

Roll out Slicker HP wherever siding or cladding will be applied with channels running vertically and the FlatWrap flap on top. Start at the base of the wall and roll out Slicker HP from left to right with the FlatWrap side against the cladding. Nail or staple (min. 1/2 in staple for 6 mm; 1 in staple for 10 mm product) every three square feet.

Step 3:

To create a vertical seam between rolls, detach and remove 6 in of the Slicker entangled matrix from the end of the installed roll, leaving the exposed FlatWrap intact.

Step 4:

Start the next roll over the exposed FlatWrap. Edges of Slicker matrix should be butted together. Seam tape at vertical and horizontal seams is optional.

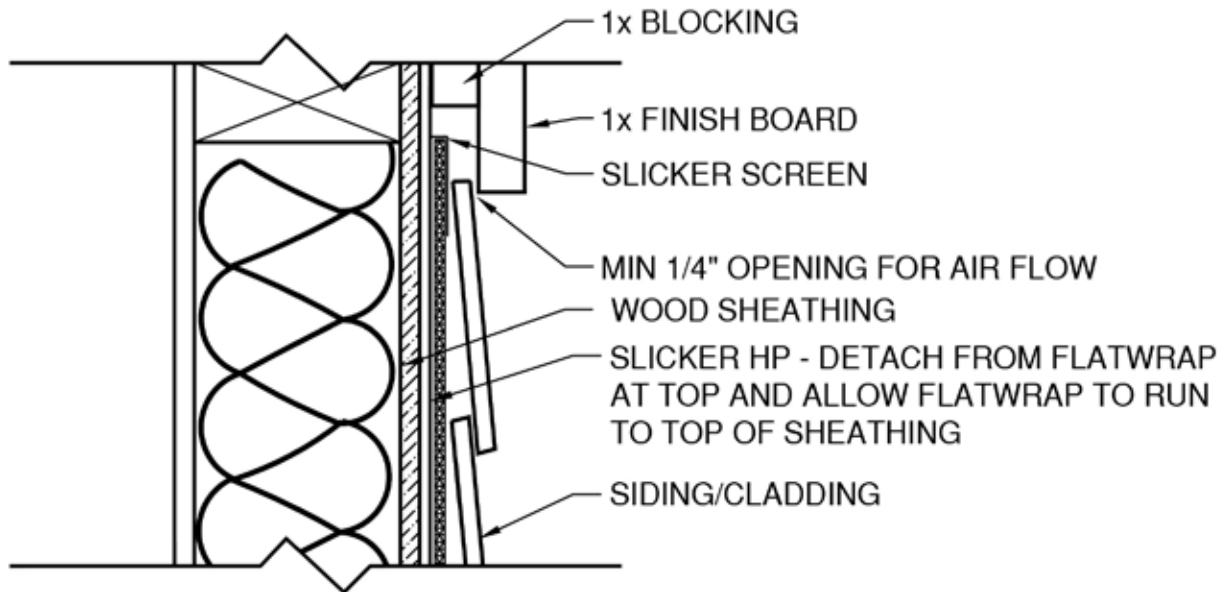
Step 5:

To create horizontal seams between rolls, unroll the 2nd course in the same manner as the previous course. With the new roll, butt the edges of rolls or courses of Slicker entangled matrix together. Overlap the exposed FlatWrap flap. Nail or staple every three square feet.

Step 6:

Install siding or cladding system over wall surface, per manufacturer's installation instructions within 30 days of Slicker HP application. Allow for thickness of Slicker HP in nail trim selection.

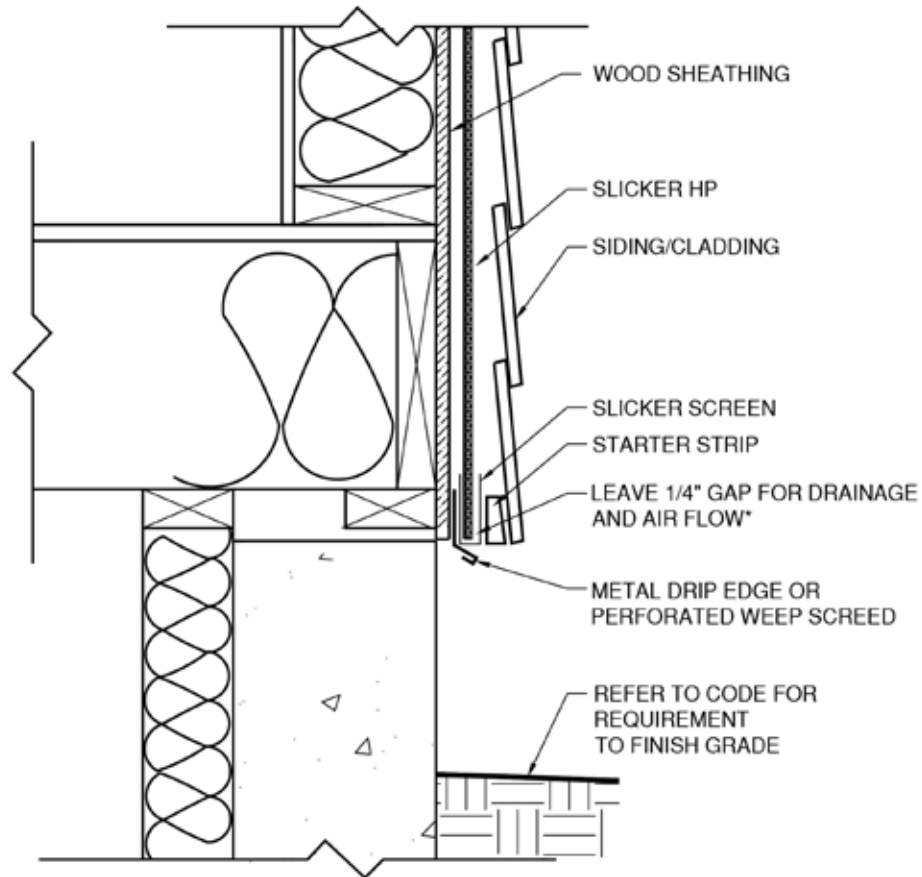
Top of Wall Detail



Run Slicker HP to within 3 in of soffit overhang. Detach from FlatWrap at top and allow FlatWrap to run to top of sheathing. Install a 1 in x 3 in board in space between top of Slicker HP and bottom of soffit. Install siding to within 4 in of soffit overhang. Install a 1 in x 6 in finish trim board or 6 in piece of siding over the 1 in x 3 in board. This will allow for air movement, which will provide convective drying and ventilation behind the cladding. Apply Slicker Screen or a 6 in wide window-screen material (1/8 in max. hole size; as indicated in bottom detail) to top edge of Slicker HP.

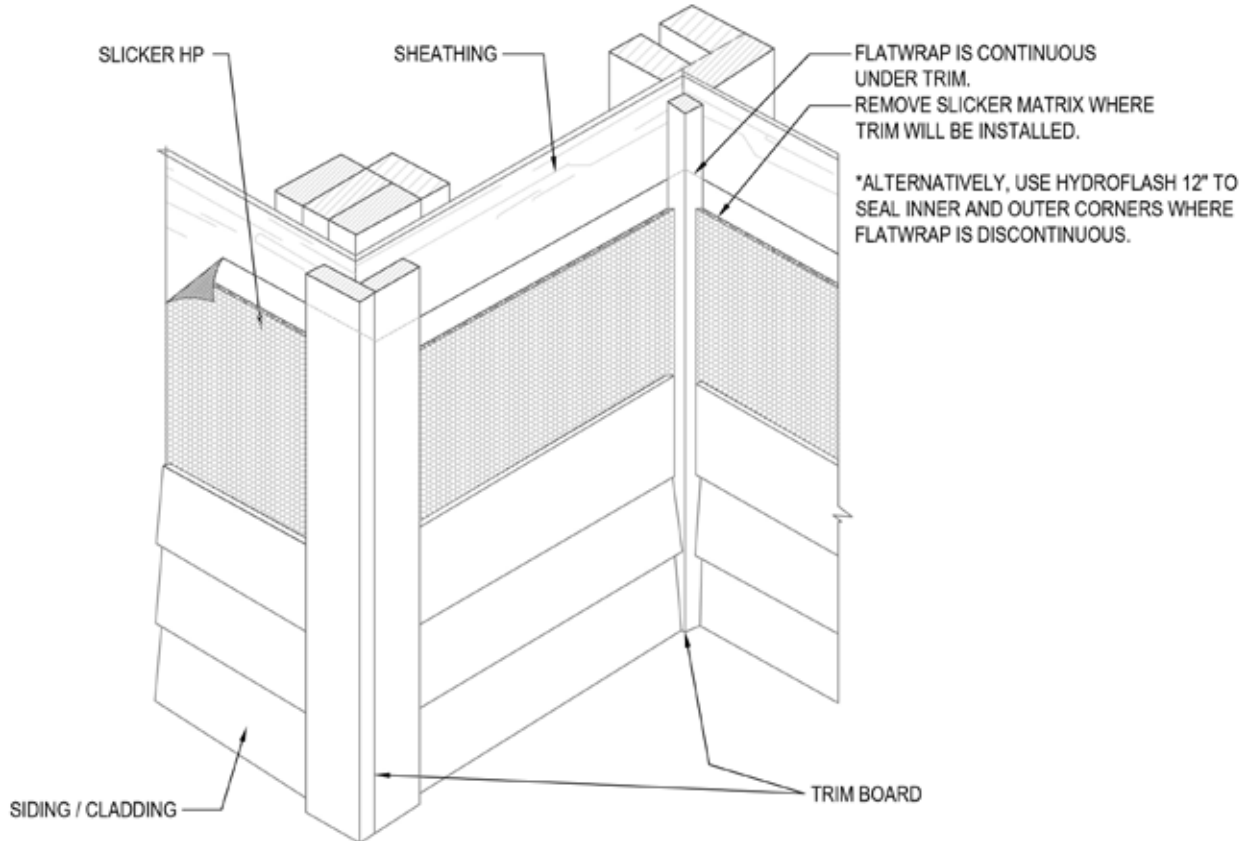
Note: Leave 1/4 in gap at top opening for Slicker HP or 10 mm for Slicker 10 HP. Top detail not required. Recommended to maximize airflow, but not a requirement.

Bottom of Wall Detail



Note: Leave 1/4 in gap at top opening for Slicker HP or 10 mm for Slicker 10 HP.

Wall Corner Detail



Install Slicker HP continuously around corners. Detach and remove matrix at trim location. Apply trim boards to outside and inside corners or shim smaller trim boards out to account for Slicker HP thickness. This gives the added benefit of “compartmentalizing” each wall section, which will assist in pressure moderation to reduce potential for water intrusion.

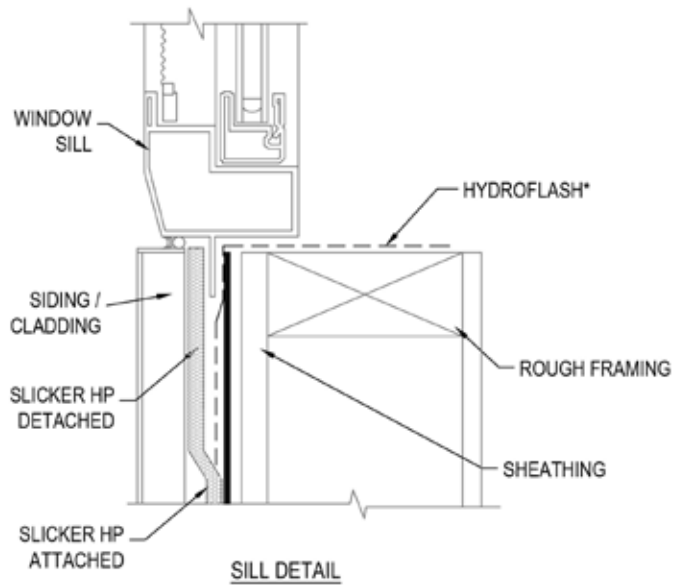
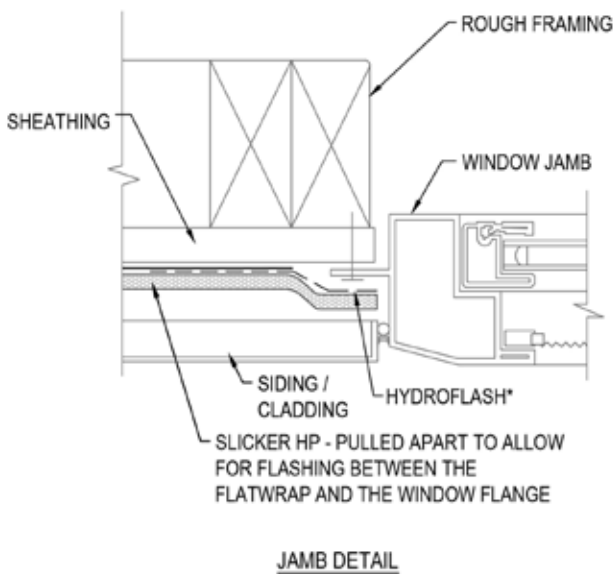
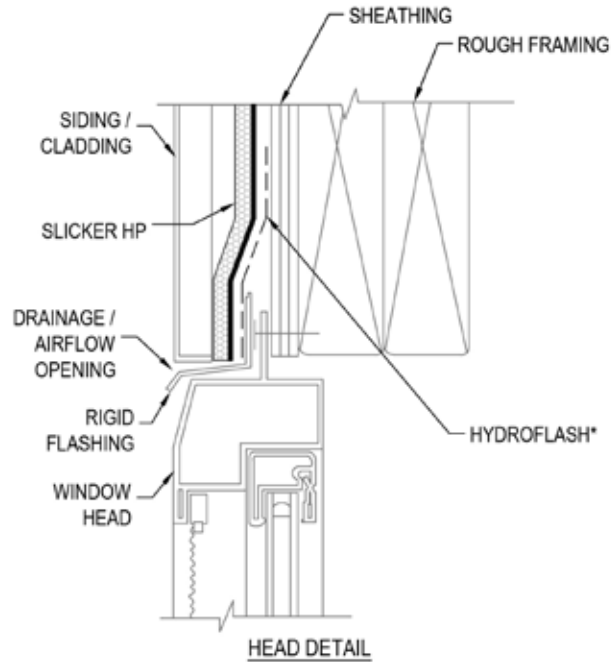
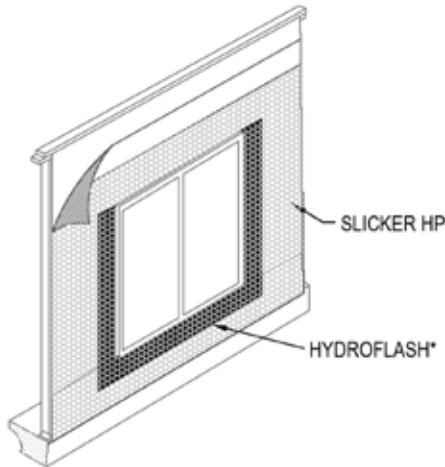
Optionally, Slicker HP may be installed under trim boards as well.

Notes:

1. Trimboard installation to be completed in accordance with manufacturer’s specifications.

Window Detail: Flanged Window with WRB Installed Before the Window

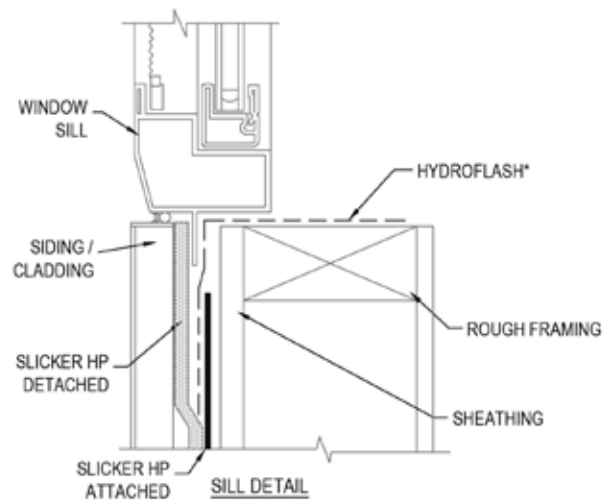
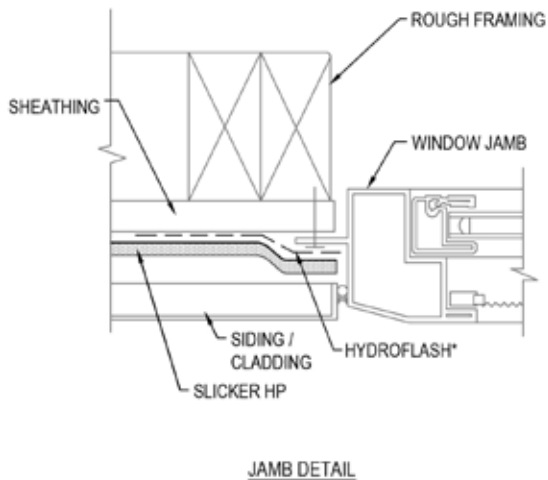
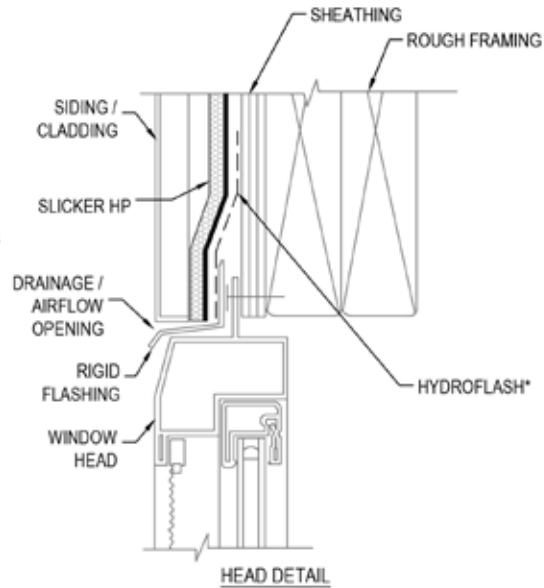
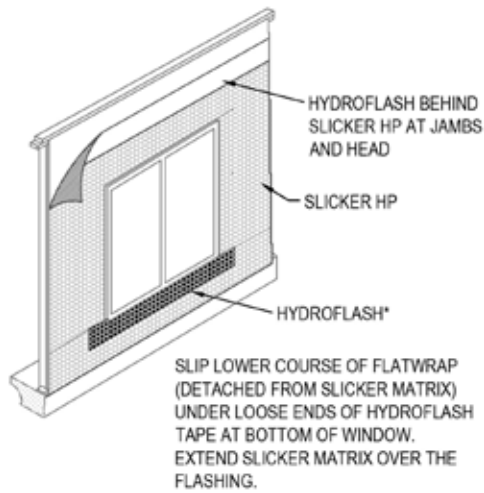
INSTALL WITH HIGHER COURSE OVERLAPPING
FLATWRAP OF LOWER COURSE.
SLICKER MATRIX CAN BE DETACHED FROM
FLATWRAP FOR EASE OF WINDOW FLASHING
INSTALLATION.



*For approved compatible products see page 2

Window Detail: Flanged Window with WRB Installed After the Window

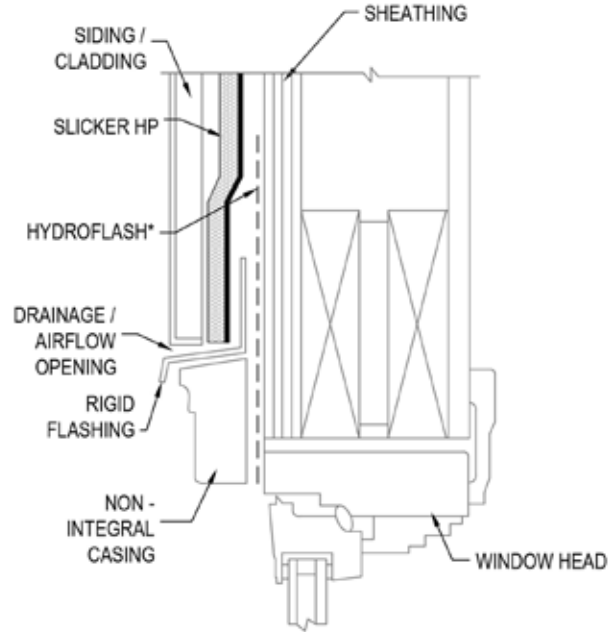
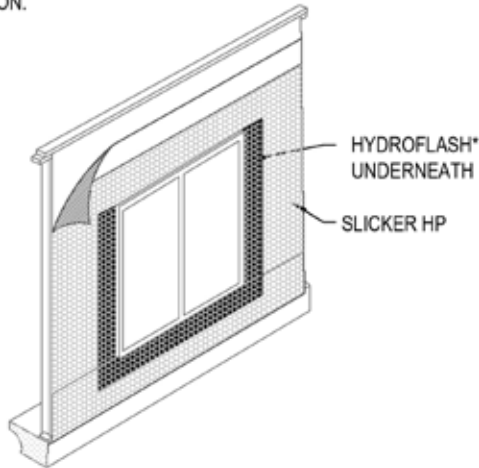
INSTALL WITH HIGHER COURSE OVERLAPPING
FLATWRAP OF LOWER COURSE.
SLICKER MATRIX CAN BE DETACHED FROM
FLATWRAP FOR EASE OF WINDOW FLASHING
INSTALLATION.



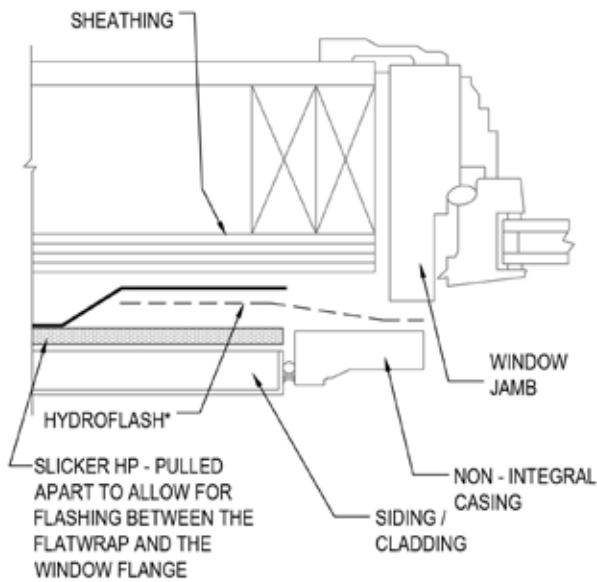
*For approved compatible products see page 2

Window Detail: Non-Flanged Window with WRB Installed Before the Window

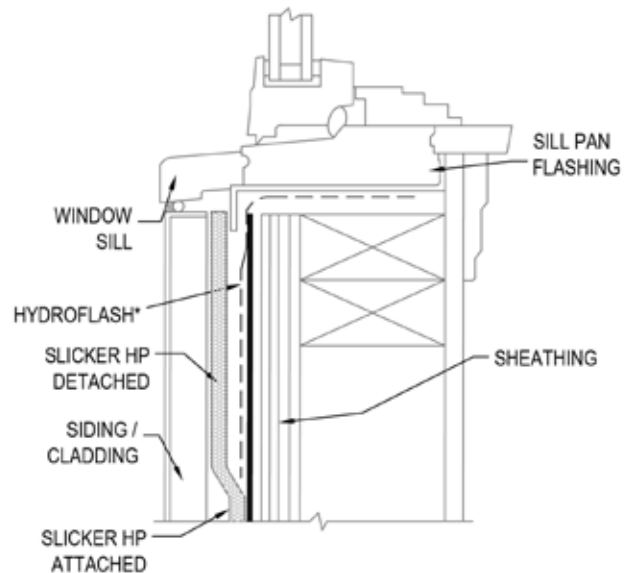
INSTALL WITH HIGHER COURSE OVERLAPPING
FLATWRAP OF LOWER COURSE.
SLICKER MATRIX CAN BE DETACHED FROM
FLATWRAP FOR EASE OF WINDOW FLASHING
INSTALLATION.



HEAD DETAIL



JAMB DETAIL

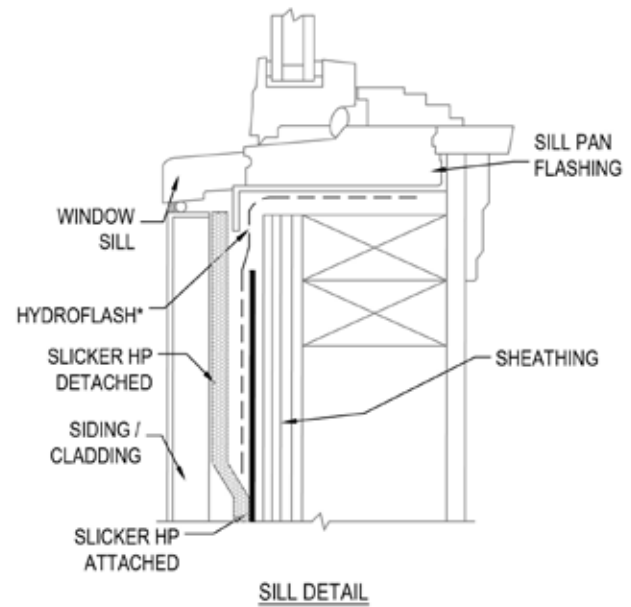
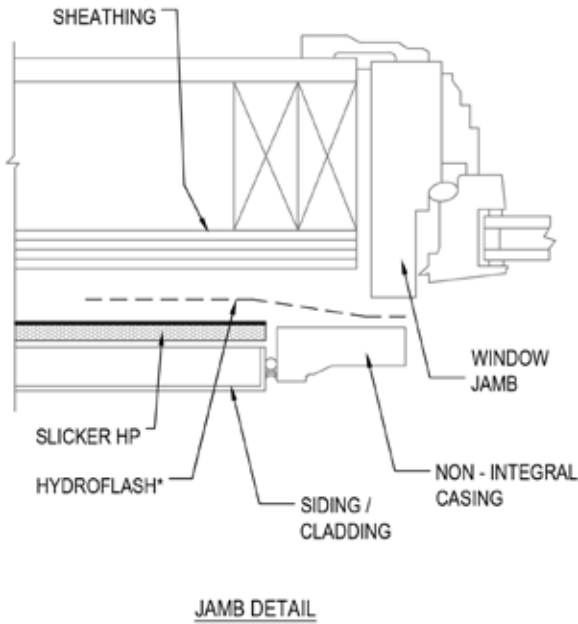
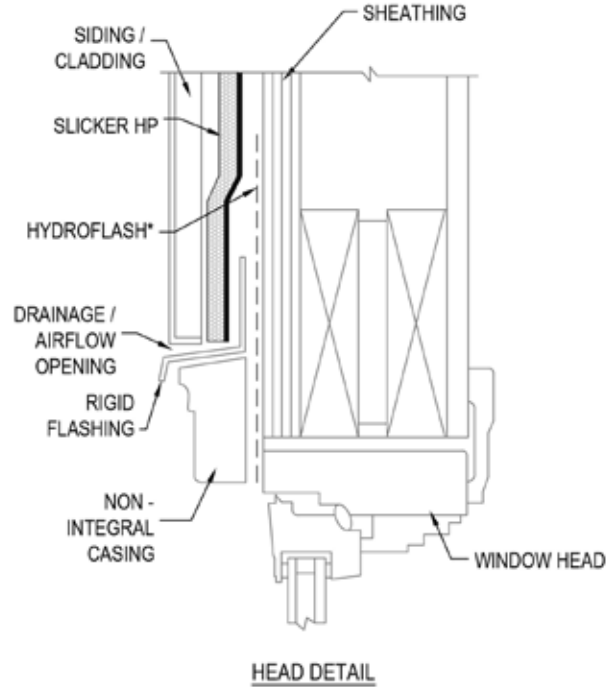
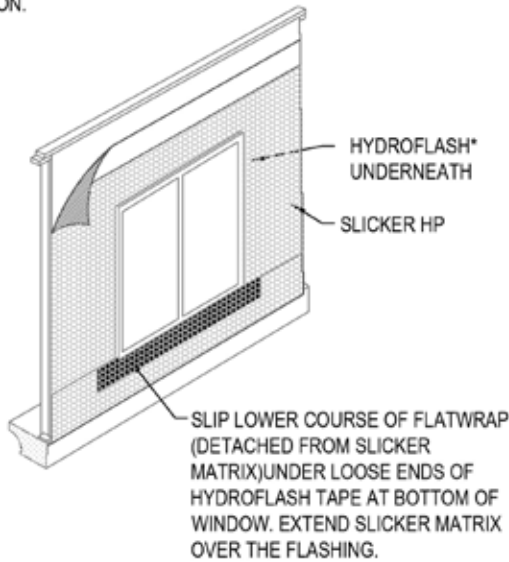


SILL DETAIL

*For approved compatible products see page 2

Window Detail: Non-Flanged Window with WRB Installed After the Window

INSTALL WITH HIGHER COURSE OVERLAPPING
FLATWRAP OF LOWER COURSE.
SLICKER MATRIX CAN BE DETACHED FROM
FLATWRAP FOR EASE OF WINDOW FLASHING
INSTALLATION.



*For approved compatible products see page 2