

SHARK VENT®

XLP / XTRA

	Page
Shark Vent XLP & Xtra General Installation	2
Steep Pitch Guidelines	3
Asphalt Shingles Detail	4
Ridge Beam Detail	5
Hip Roof Detail	6
Shed Roof Detail	7
Cathedral Ceilings Installation	8



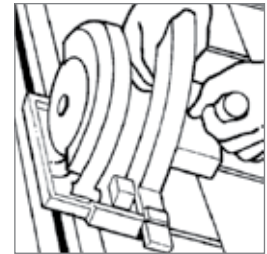
Shark Vent XLP & Xtra General Installation

Requirements:

- Compressor pressure should be set between 90–100 psi
- Must be used with an equal or greater amount of soffit vent
- Installs on pitches from 3/12 to 16/12 (see page 3 for pitches greater than 12/12)
- Use with standard 12 inch wide cap shingles
- Use 1 3/4 inch nails provided to assure penetration into the sheathing 3/4 inch or completely through the sheathing
- If installing on dimensional or architectural shingles on new construction, leave felt underlayment about 6 inches long at roof ridge and fold back under the vent so that vent is essentially installed on top of felt over the shingles. If re-roofing, caulk between low areas of shingle and baffle of vent after installation.

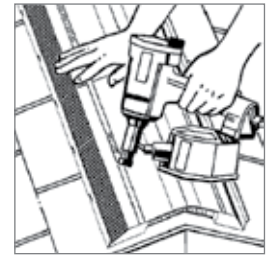
Step 1:

Cut a slot in plywood along roof ridge 1 1/2 inches wide (3/4 inch on each side, see detail on page 4). If ridge beam is present, cut slot 3/4 inch wide on each side of ridge beam (see detail on page 5). Allow for a closed area of sheathing 12 inches at both ends of ridge.



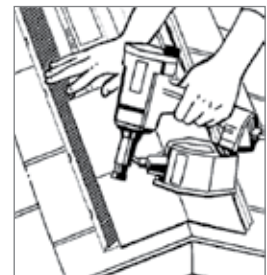
Step 2:

Place beginning end of vent 1 inch in from gable end and use centering line for proper alignment along peak. Fasten using at least two nails at each end in vent nail guide area (1 3/4 inch minimum nail length), then continue to nail approximately every 12 inches. More nails may be required on steeper slopes to seat properly. Continue installing additional rolls as needed along ridge end to end, aligning using centering line. When reaching the other end, cut vent roll to 1 inch from the gable end and nail in place. End plugs are provided every 12 inches on the underside of the product.



Step 3:

Place first cap shingle over vent so that it overhangs at least 1 inch over end of vent roll. Install with 1 3/4 inch nails provided in shingle nail line area as you work your way along the roof ridge. Cut last cap shingle so that it overhangs vent 1 inch at other gable end.



Steep Pitch Guidelines (Shark Vent XLP & Xtra)

As a roof’s pitch becomes steeper, the effective opening of the slot becomes smaller. To provide effective ventilation, the sheathing cut must be wider than normal.

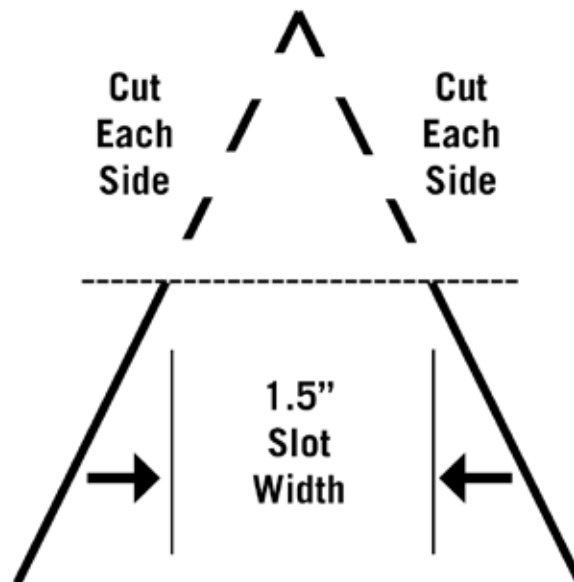
CAUTION: on steep pitch roof conditions verify proper clearance from edge of sheathing prior to nailing.

The following chart gives the necessary measurements for steeper than 12/12 pitches:

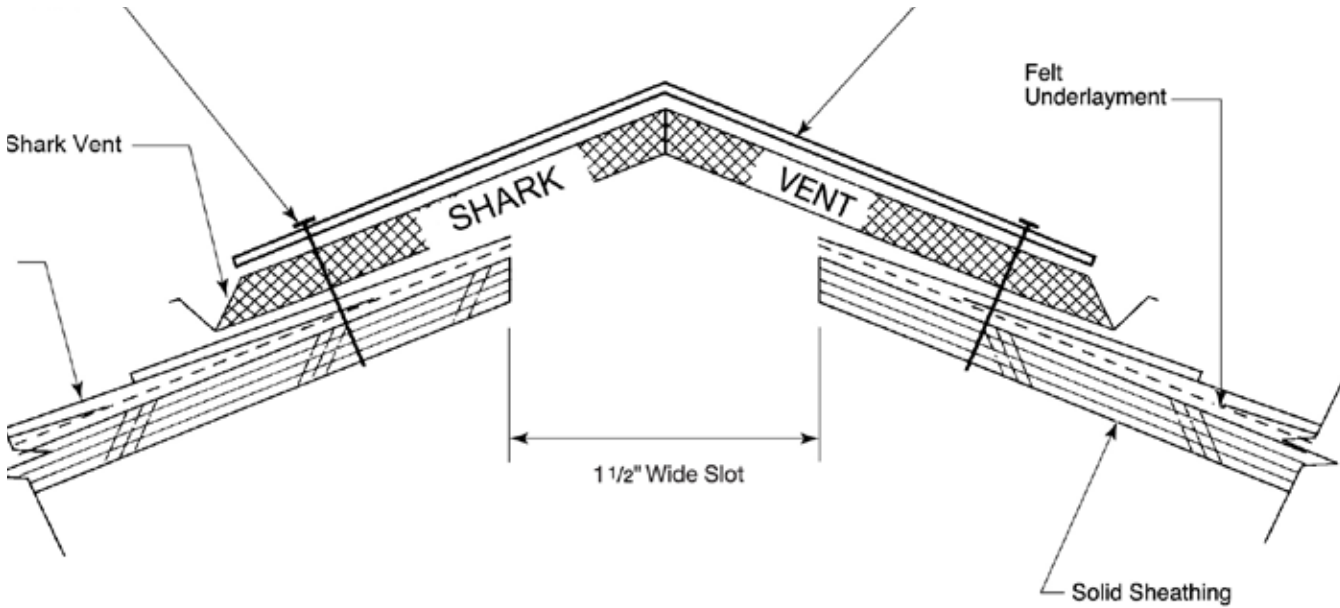
PITCH	EACH SIDE
13/12	1 1/8 in *(2 1/4 in total)
14/12	1 3/16 in *(2 3/8 in total)
15/12	1 1/4 in *(2 1/2 in total)
16/12	1 1/4 in *(2 1/2 in total)

Under no circumstances should Shark Vent Ridge Vent be installed on pitches greater than 16/12. This steep pitch application is for ridge installations only.

The presence of a ridge beam may slightly reduce ventilation.



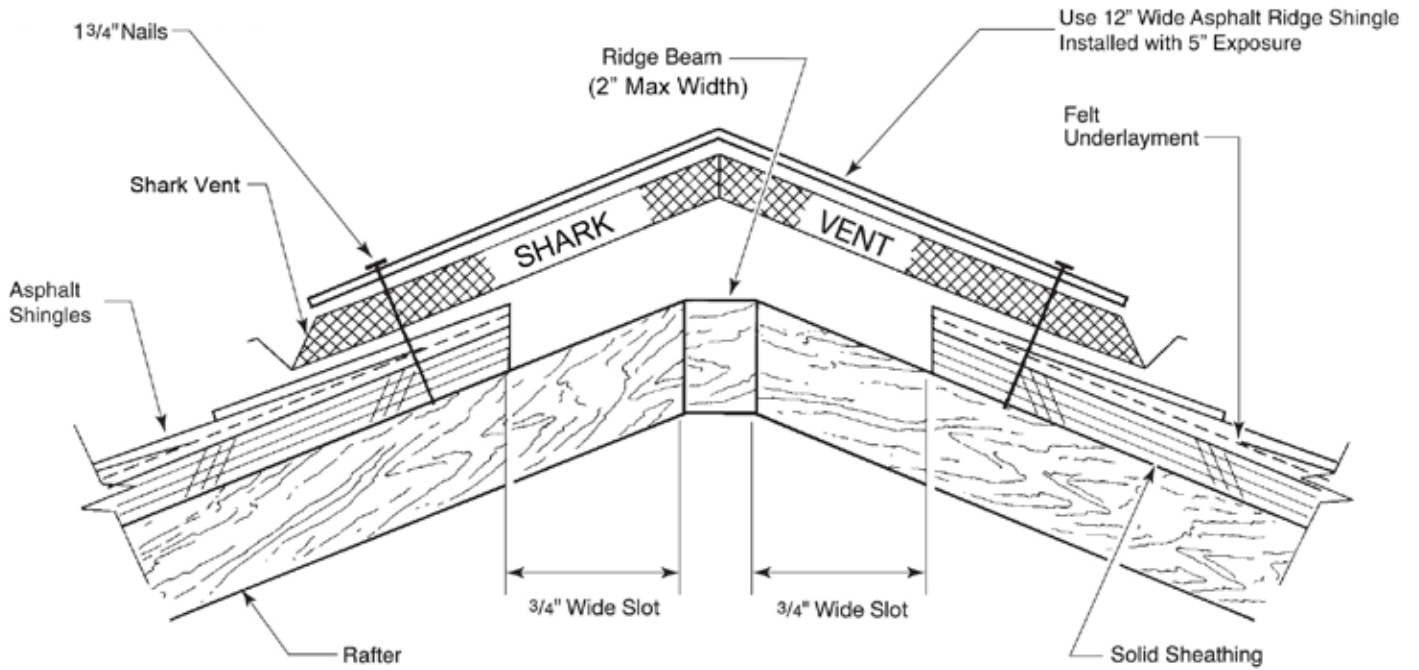
Asphalt Shingles Detail (Shark Vent XLP & Xtra)



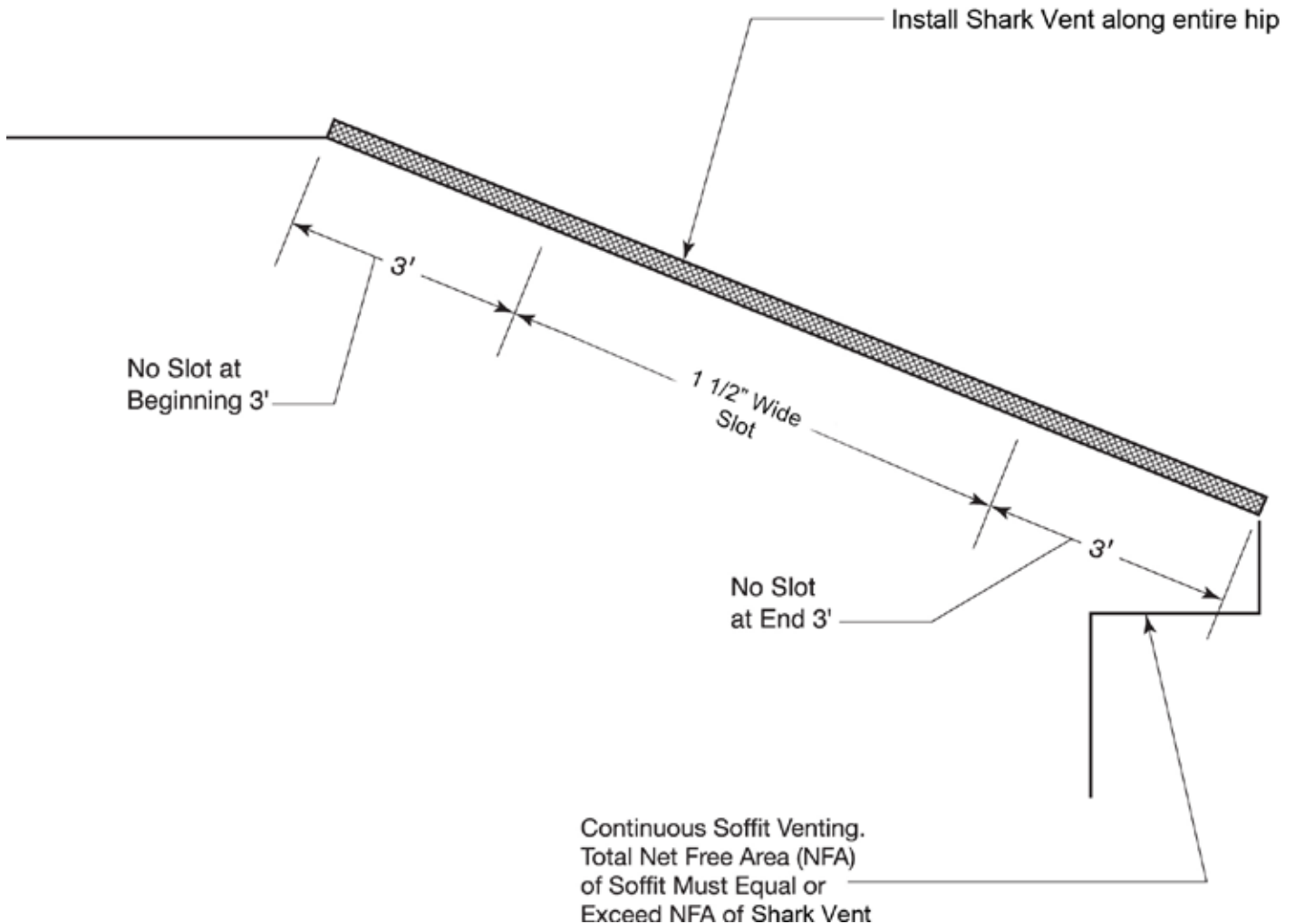
Installation Note:

Use instructions on page 2 for asphalt shingle installation.

Ridge Beam Detail (Shark Vent XLP & Xtra)



Hip Roof Detail (Shark Vent XLP & Xtra)



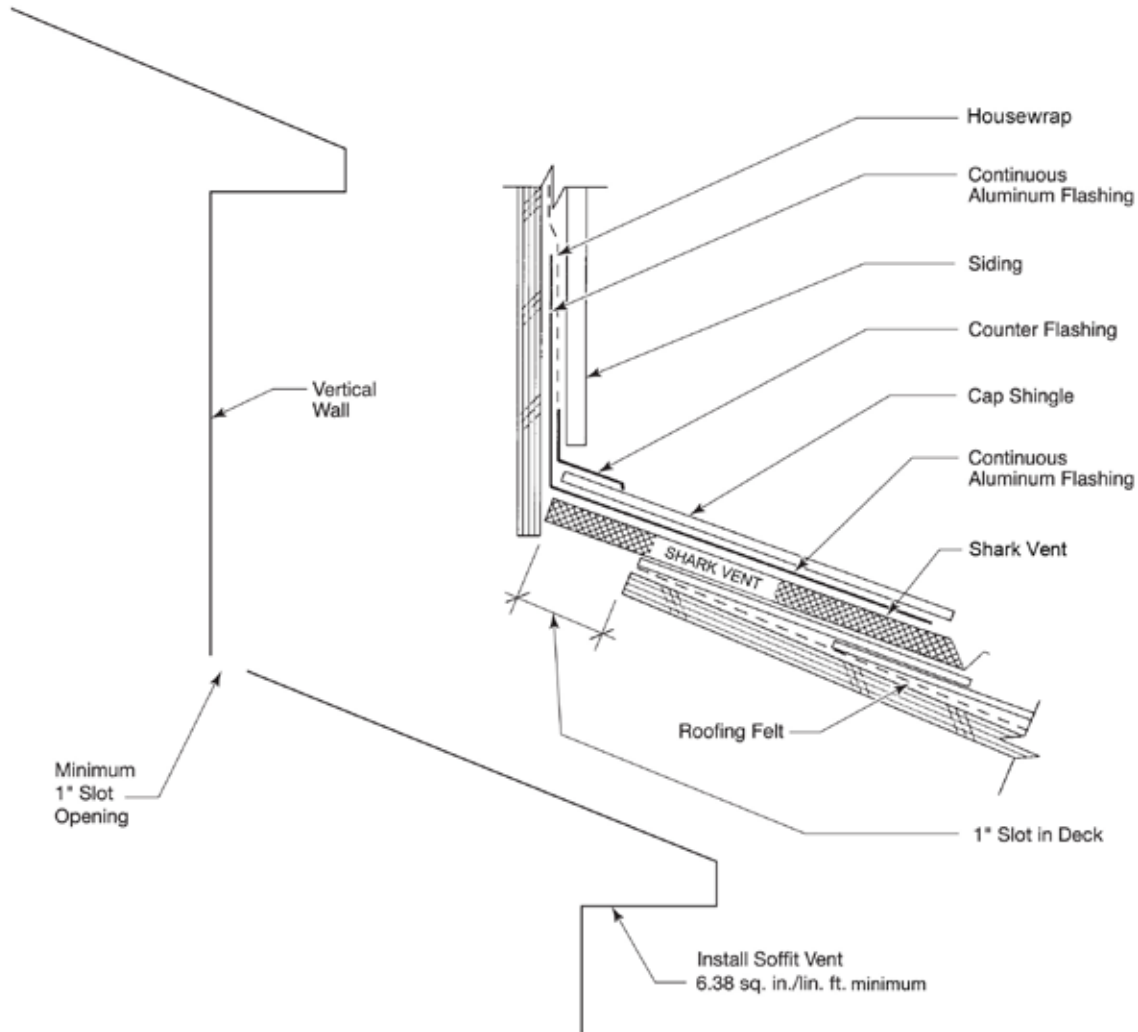
Installation Notes:

Hip Application not to exceed 12/12 pitch.

Cut slot in roof along hip 1 1/2 inch wide beginning 3 feet from peak and running to 3 feet of end of hip. Start Shark Vent a minimum of 1 inch from each end of the hip. Center cap shingles over vent and use nail line as a placement guide. Install with 1 3/4 inch nails. Nails must penetrate into the sheathing 3/4 inch or completely through the sheathing. Cap shingles must overhang Shark Vent by 1 inch each hip end.

Run bead of sealant along bottom edge of Shark Vent where it meets shingles on roof deck.

Shed Roof Detail (Shark Vent XLP & Xtra)



Installation Notes:

Shark Vent will only vent 6.38 sq. in. per linear foot in this application. The Venturi effect will be limited.

Cut Shark Vent baffle area off and install flat side against the vertical wall. Start Shark Vent a minimum of 1 inch from each end of roof. Center cap shingles over vent and install with nails. Use nail line as placement guide. Nails must penetrate into the sheathing 3/4 inch or completely through the sheathing.

Cap shingles must overhang Shark Vent by 1 inch minimum at each end of roof.

For added weather protection, install counter flashing behind siding and over top of cap shingle.

Cathedral Ceilings (**Shark Vent XLP & Xtra**)

Cathedral or vaulted ceilings present some unique ventilating situations that need to be addressed up front to avoid condensation problems down the road. A cathedral ceiling is typically constructed utilizing 2 x 8 rafters on 16 inch or 24 inch centers; plywood roof decking on top of the rafters; and drywall, which becomes the ceiling of the room below, on the bottom of the rafters. Since this rafter space becomes the only separation between living space and outside temperatures, many builders want to install as much insulation as possible in this space. This causes a problem by restricting the air flow capability from soffit (intake) to ridge (exhaust) within these rafter spaces. This usually shows up in the form of condensation. The following are tips to follow when designing or installing Shark Vent for use in cathedral/vaulted ceilings:

- 1.** Be sure to properly “balance” the Shark Vent total net free area with soffit vent total net free area. Strip soffit vent with a net free area of at least 6.38 sq. in. per linear foot is necessary.
- 2.** Install Shark Vent and soffit venting continuously along the ridge and eave overhang, respectively. Each rafter space must have air flow.
- 3.** Install “vent chutes” between the rafters from the soffit to the ridge. This assures at least 1 1/2 inches of unobstructed air space between the bottom of the deck and top of the insulation.
- 4.** Install a vapor barrier on the “warm” side of the insulation to provide a block against living area moisture migrating into the rafter spaces. Following the above procedures will minimize the potential for condensation-related problems in cathedral or vaulted ceilings.